

FLEXFORM



MAGNUM *DESIGN CENTER* **2003**

SOFAS

FLEXFORM Spa

Via Einaudi 23/25 20821 Meda (MB) Italy | Tel. +39 0362 3991 | info@flexform.it | www.flexform.it

MAGNUM | *DESIGN CENTER* | 2003

Structure in solid wood with polyurethane foam padding, covered with a protective laminated fabric

Seat cushions in sterilized goose down (Assopiuma certified, gold label) with insert in crushproof material, or in polyurethane foam and dacron

Articles: 11UA1-11UA2-11UB3-11UB5-11UB7-11UB9-11UC3-11UC7-02D1A1-02D1A2-02D1B3-02D1B5-02D1B7-02D1B9-02D1C3-02D1C7 with padding in polyurethane foam and dacron

Backrest cushions in sterilized goose down (Assopiuma certified, gold label) and fiber

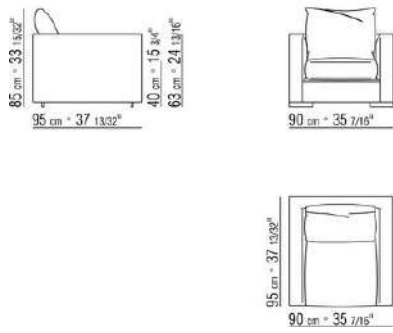
Optional cushions in sterilized goose down (Assopiuma certified, gold label). Optional cushions are upon request, with upcharge

Feet made of glossy transparent methacrylate

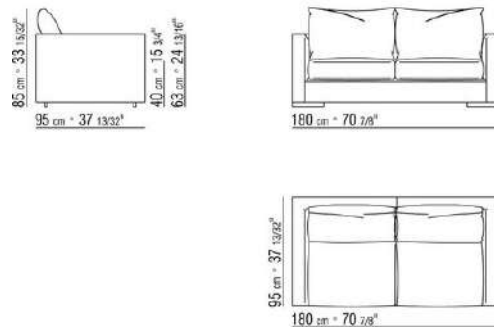
Base 24 in metal in satin, chrome, black chrome, burnished, glossy anthracite or matt titanium 710 finish

Upholstery removable fabric or not removable leather covers

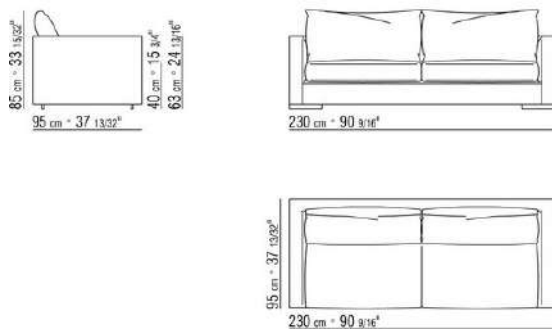
COD. 011U42



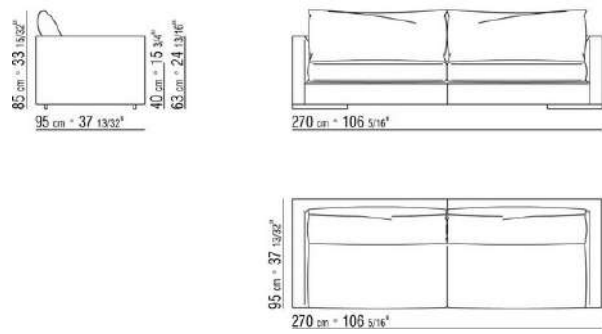
COD. 011U48



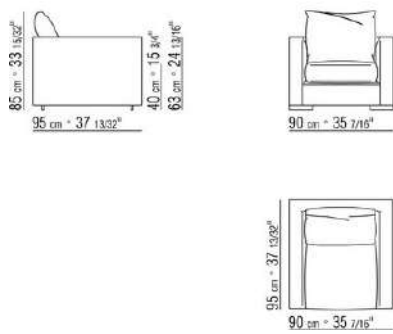
COD. 011U43



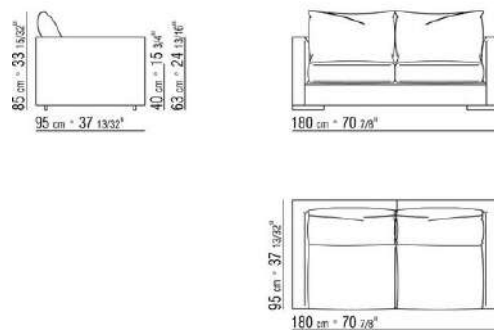
COD. 011U44



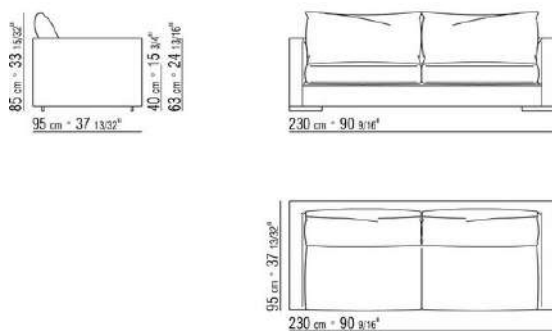
COD. 011U21



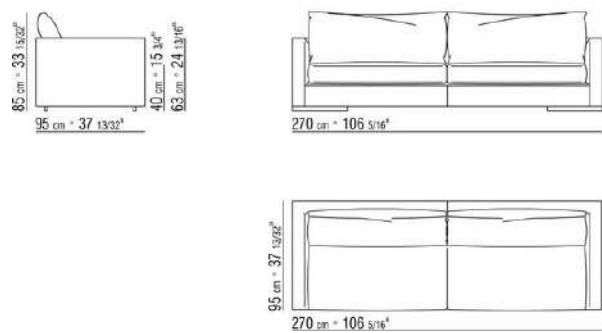
COD. 011U28



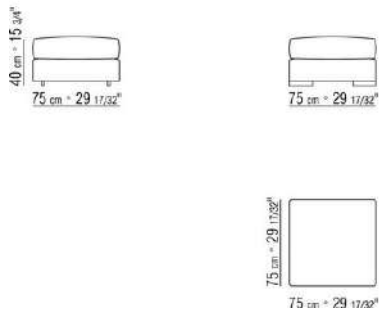
COD. 011U23



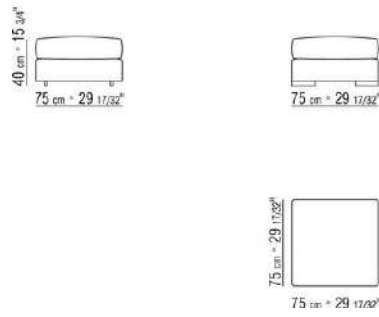
COD. 011U24



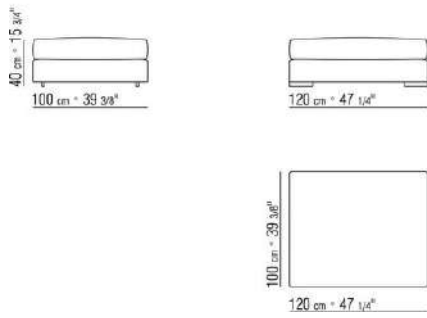
COD. 011U51



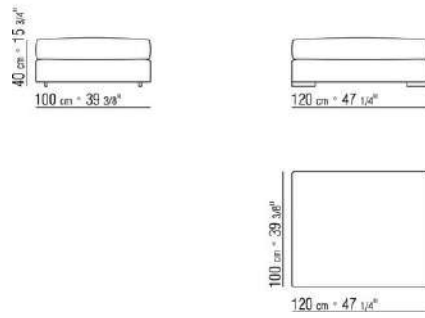
COD. 011U61



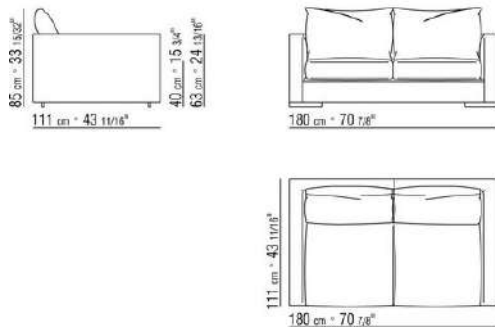
COD. 011U52



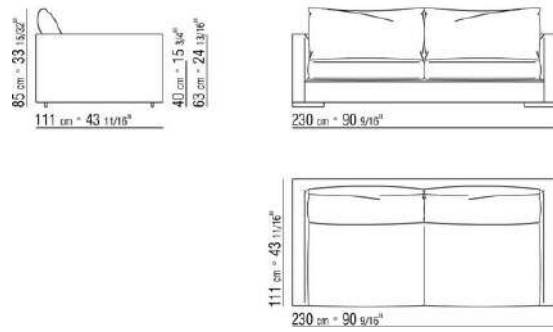
COD. 011U62



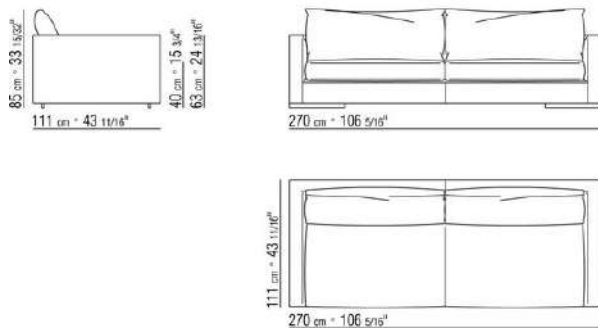
COD. 011U08



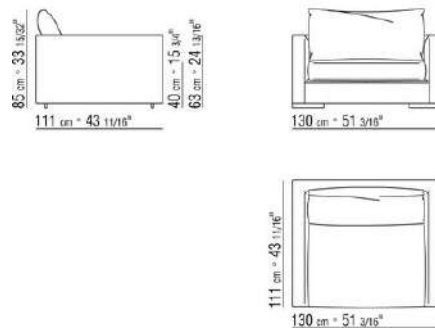
COD. 011U03



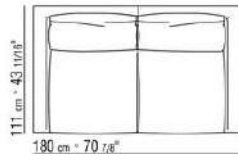
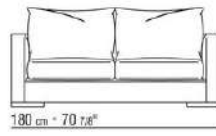
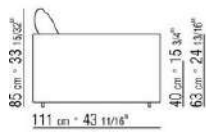
COD. 011U04



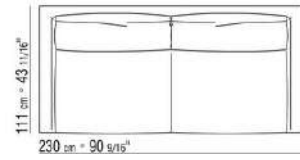
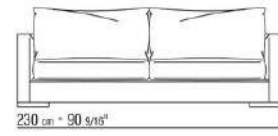
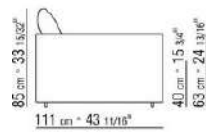
COD. 011U11



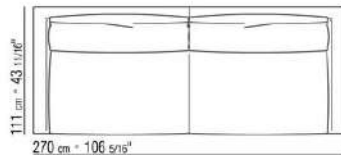
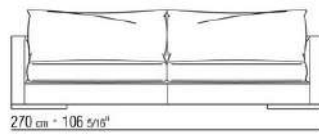
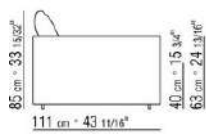
COD. 011U18



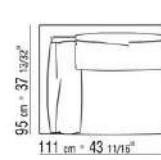
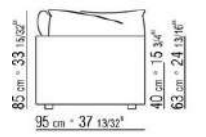
COD. 011U13



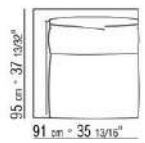
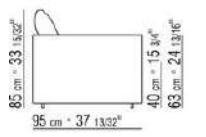
COD. 011U14



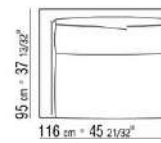
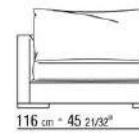
COD. 011U71



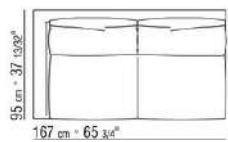
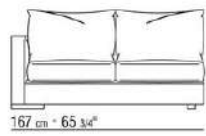
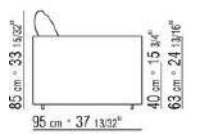
COD. 011U73



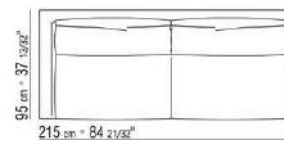
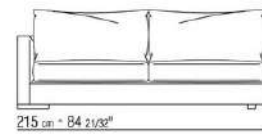
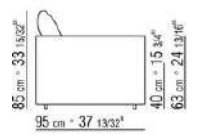
COD. 011U75



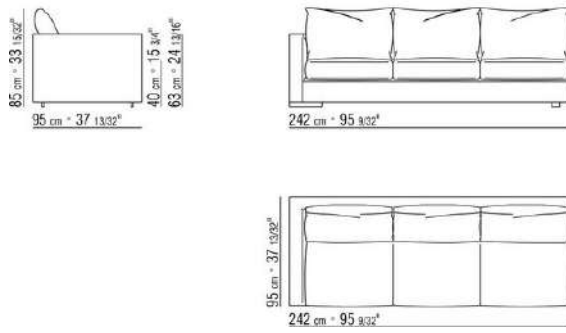
COD. 011U77



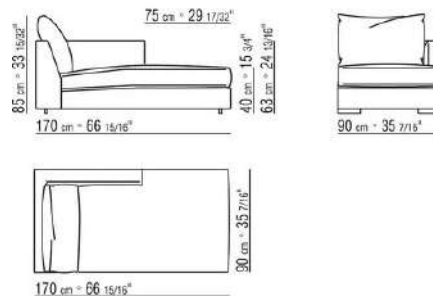
COD. 011U79



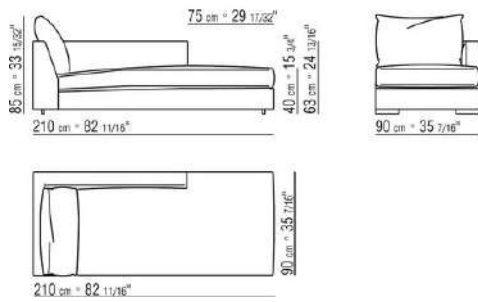
COD. 011U81



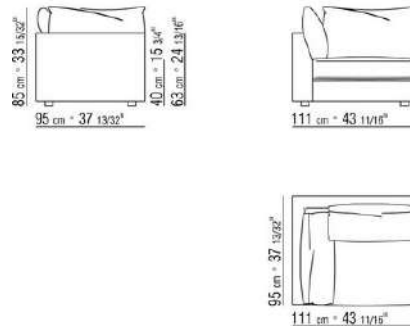
COD. 011U83



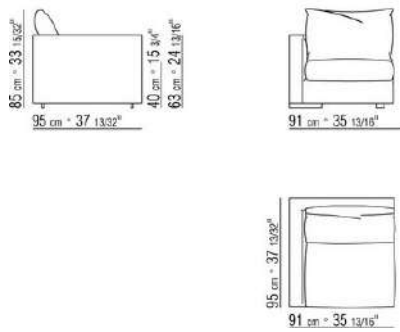
COD. 011U85



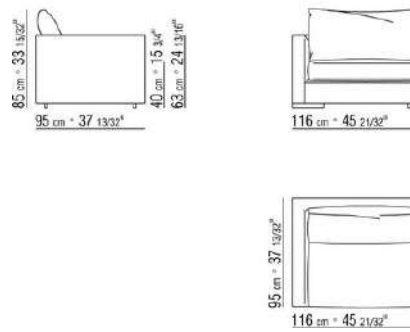
COD. 011U31



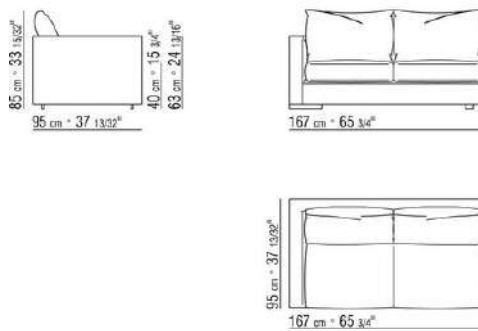
COD. 011U33



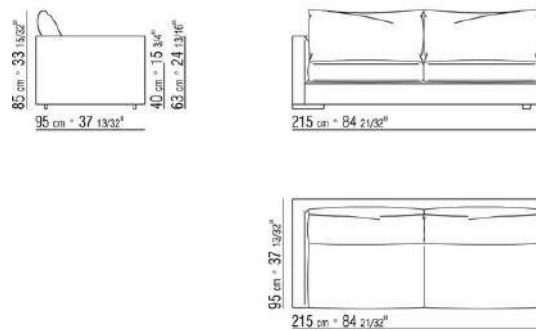
COD. 011U35



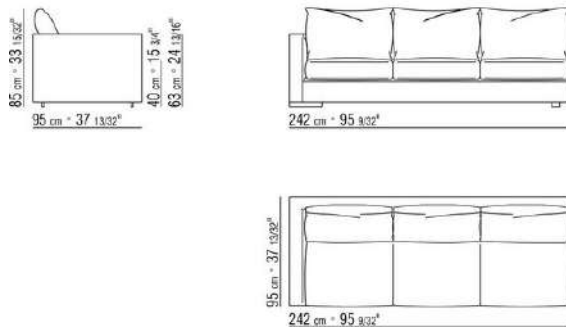
COD. 011U37



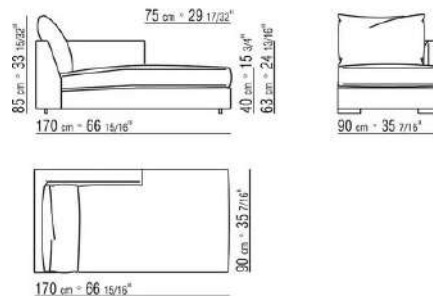
COD. 011U39



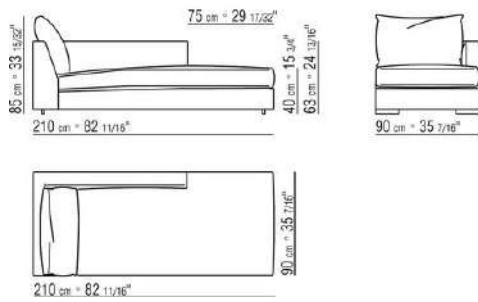
COD. 011U41



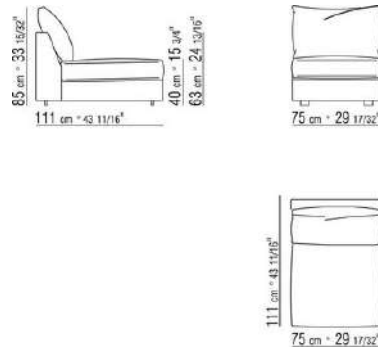
COD. 011U65



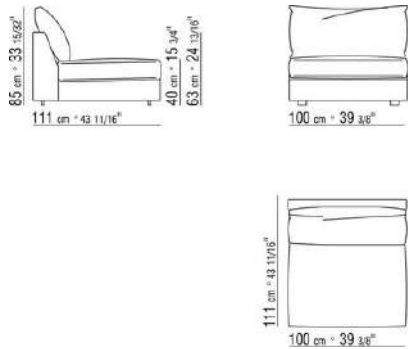
COD. 011U67



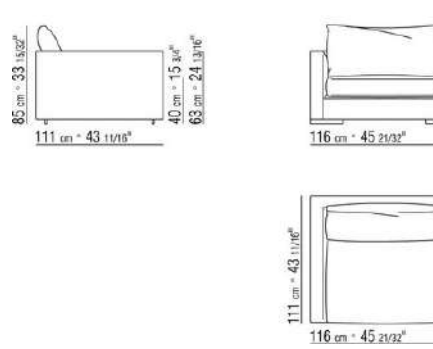
COD. 011UA1



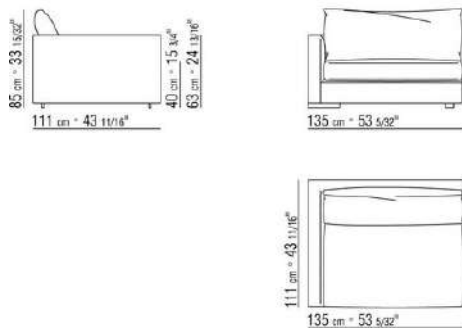
COD. 011UA2



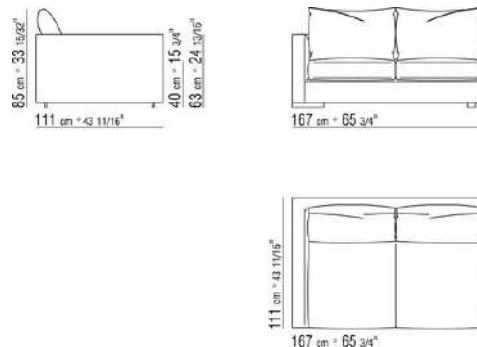
COD. 011UB3



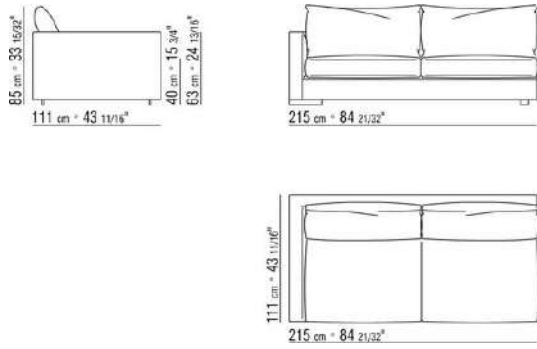
COD. 011UB5



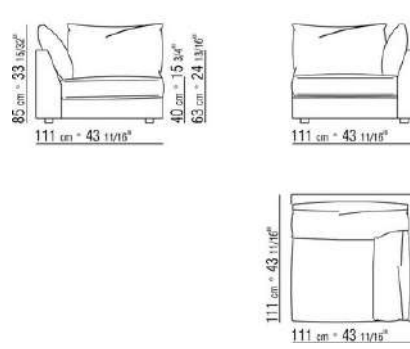
COD. 011UB7



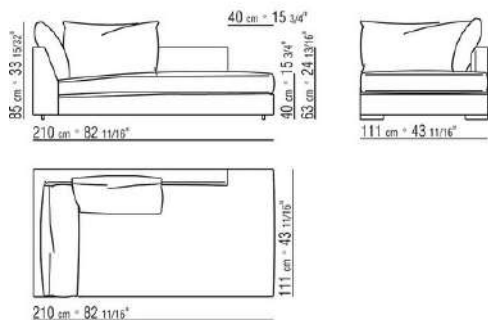
COD. 011UB9



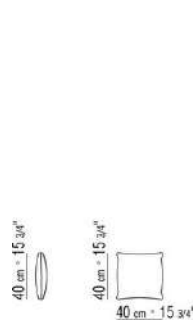
COD. 011UC3



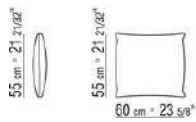
COD. 011UC7



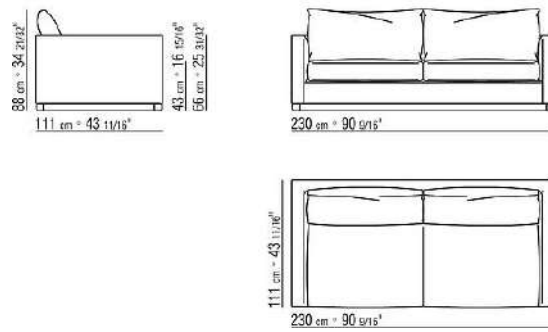
COD. 011U96



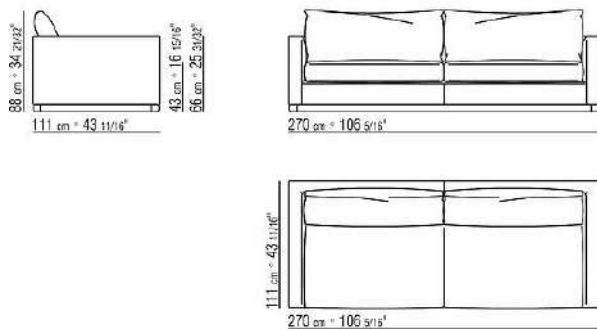
COD. 011U97



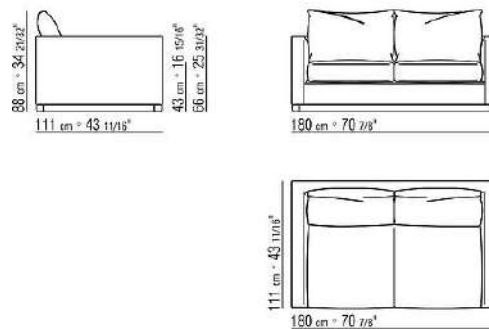
COD. 02D103



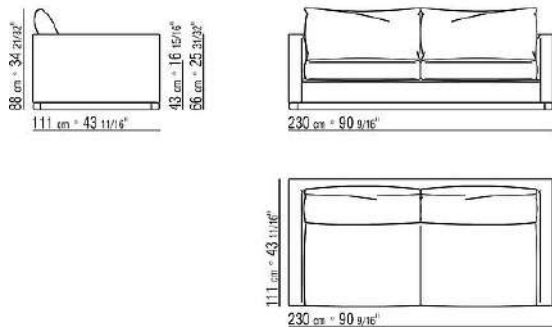
COD. 02D104



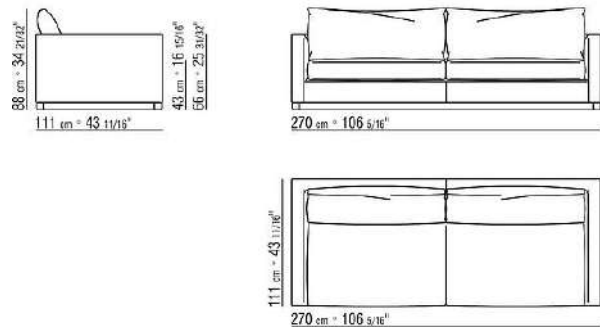
COD. 02D108



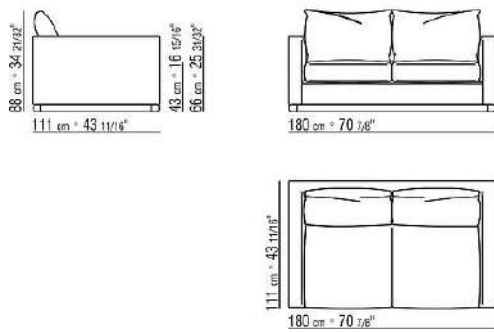
COD. 02D113



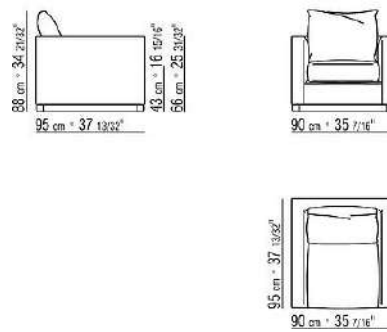
COD. 02D114



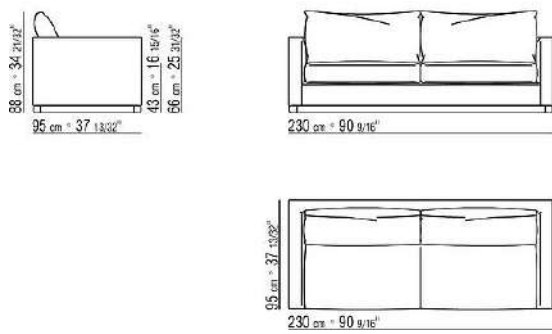
COD. 02D118



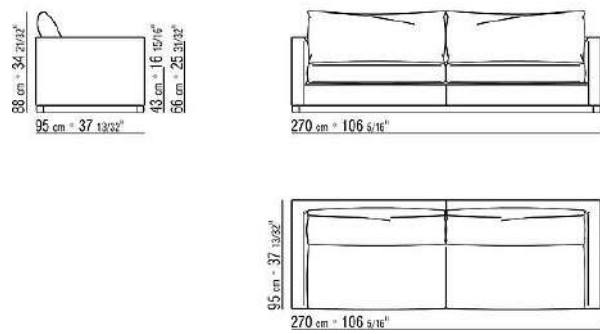
COD. 02D121



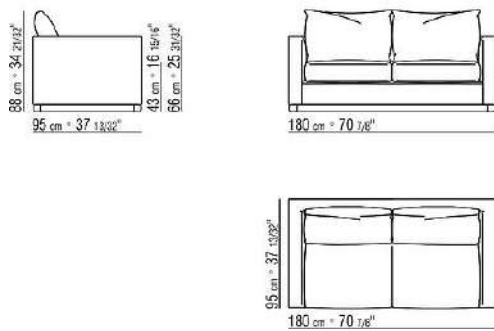
COD. 02D123



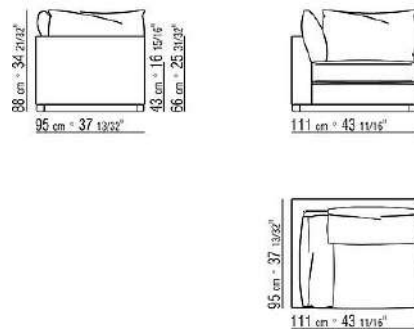
COD. 02D124



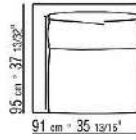
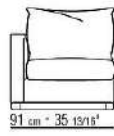
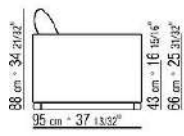
COD. 02D128



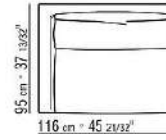
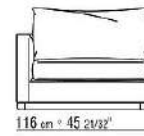
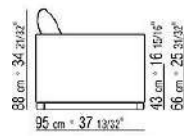
COD. 02D131



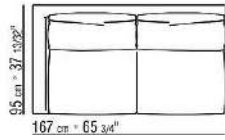
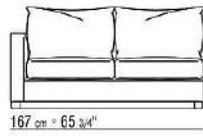
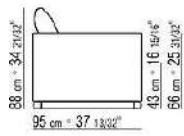
COD. 02D133



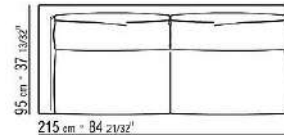
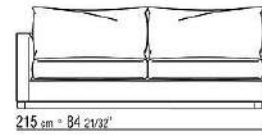
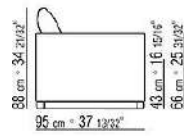
COD. 02D135



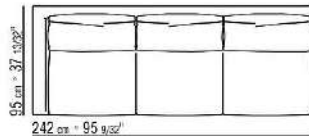
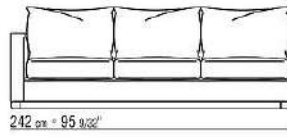
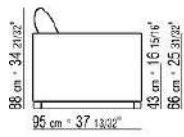
COD. 02D137



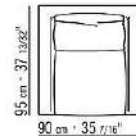
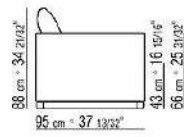
COD. 02D139



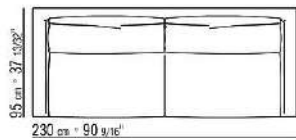
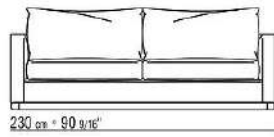
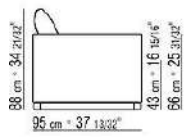
COD. 02D141



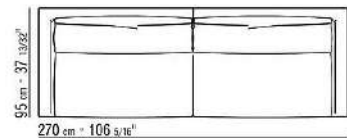
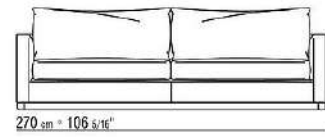
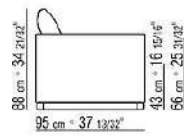
COD. 02D142



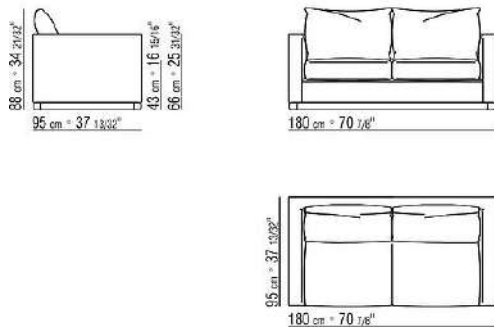
COD. 02D143



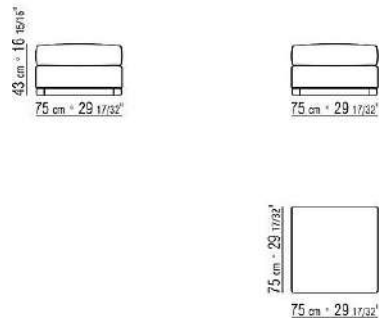
COD. 02D144



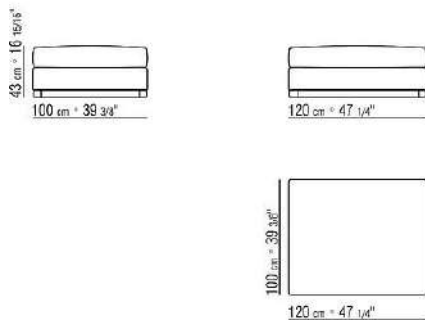
COD. 02D148



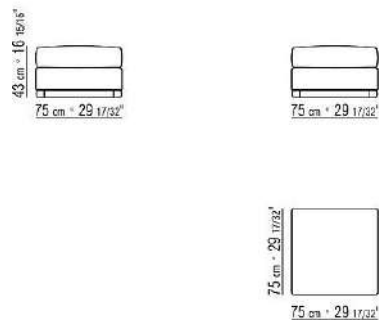
COD. 02D151



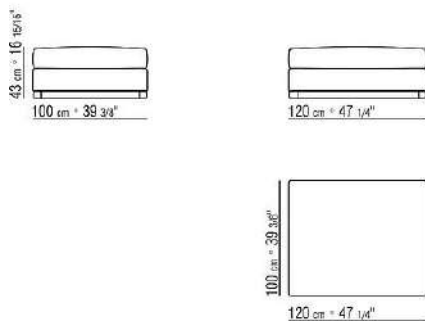
COD. 02D152



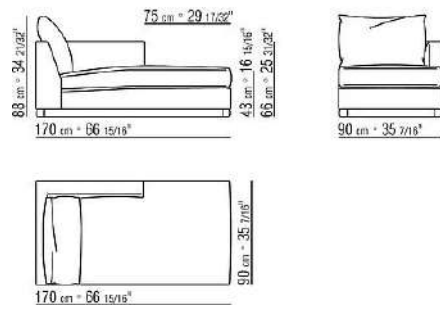
COD. 02D161



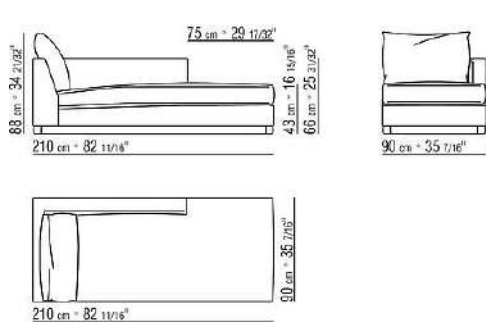
COD. 02D162



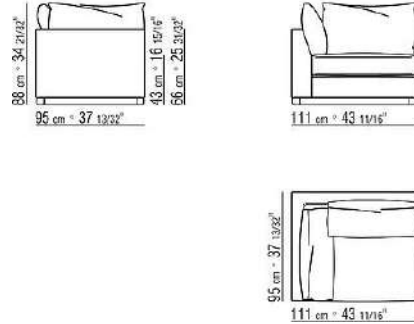
COD. 02D165



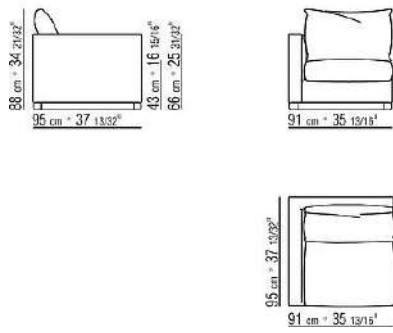
COD. 02D167



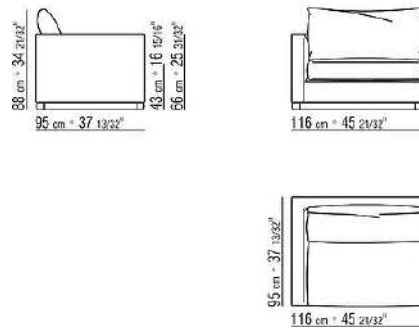
COD. 02D171



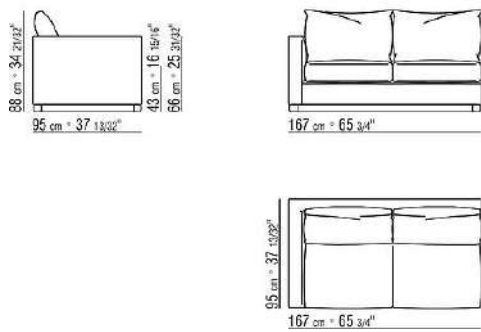
COD. 02D173



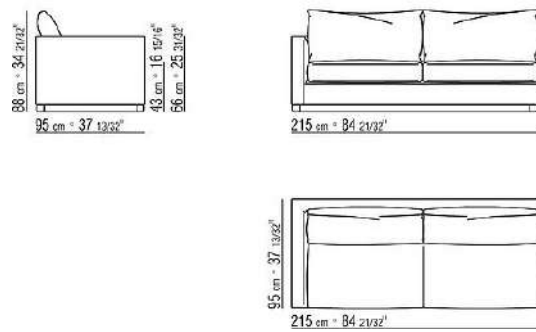
COD. 02D175



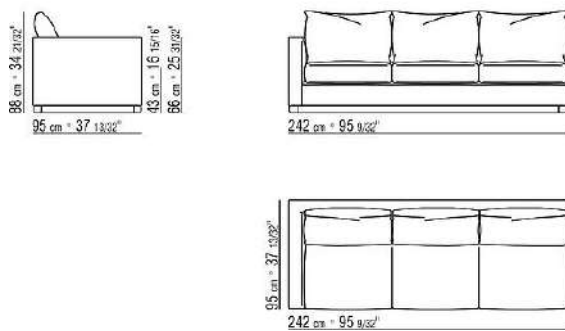
COD. 02D177



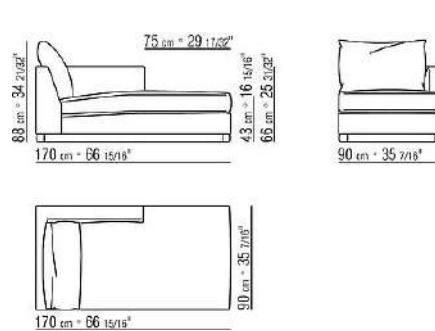
COD. 02D179



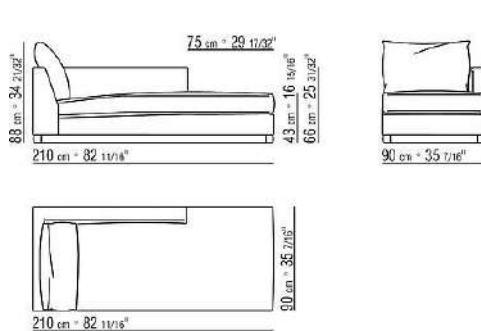
COD. 02D181



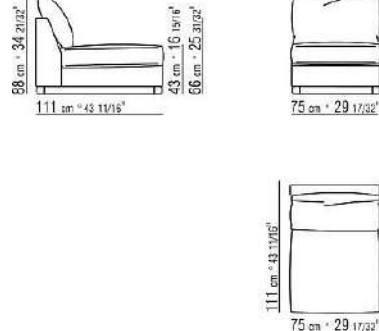
COD. 02D183



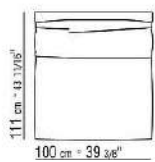
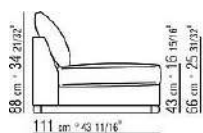
COD. 02D185



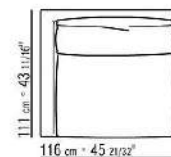
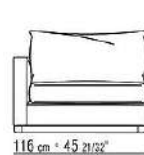
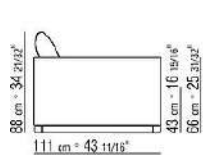
COD. 02D1A1



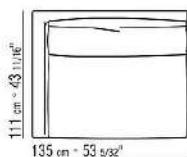
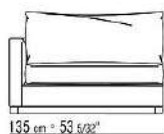
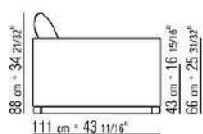
COD. 02D1A2



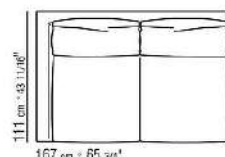
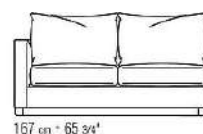
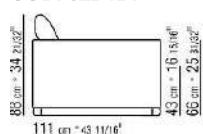
COD. 02D1B3



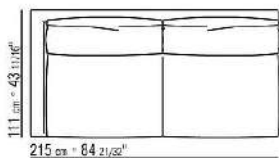
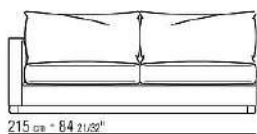
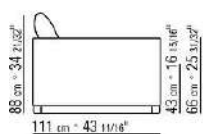
COD. 02D1B5



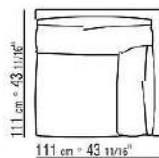
COD. 02D1B7



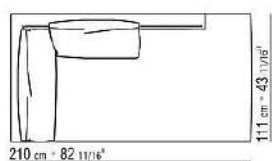
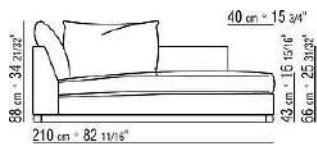
COD. 02D1B9



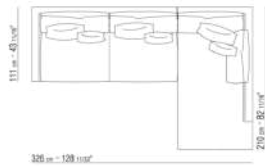
COD. 02D1C3



COD. 02D1C7

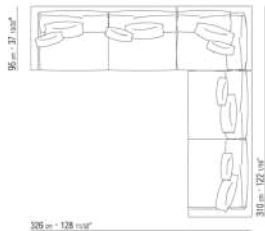


011UXA



- N.1 COD.011UB9 - END UNIT L / DACRON CM.215 x111
- N.3 COD.011U96 - CUSHION CM.40 x40
- N.1 COD.011UC7 - LONG CORNER L /DACRON CM.111 x210
- N.3 COD.011U97 - CUSHION CM.60 x55

011UXB



- N.1 COD.011U79 - END UNIT L CM.215 x95
- N.1 COD.011U78 - END UNIT R CM.215 x95
- N.1 COD.011U70 - CORNER R CM.111 x95
- N.5 COD.011U96 - CUSHION CM.40 x40
- N.5 COD.011U97 - CUSHION CM.60 x55