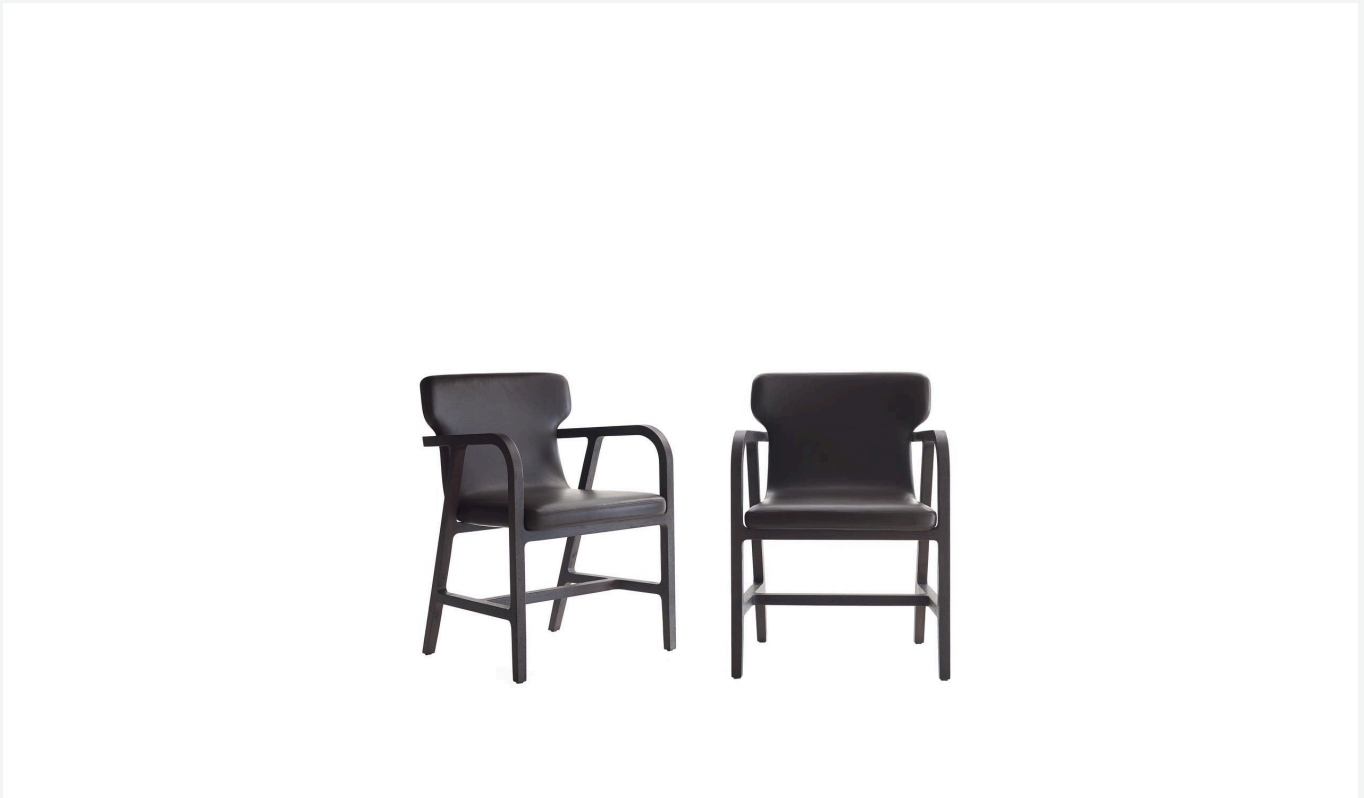


## Fulgens

CHAIRS

2014

Antonio Citterio



## Description

---

Chair with armrests that shares with the small armchair the finishes and the handcrafted excellence. Stylistically, the piece evokes classic thonet pieces without oriental overtones, confirmed by the silky hand of the wood. The seat-back shell, externally shellac lacquered, is internally upholstered and covered in leather or fabric.

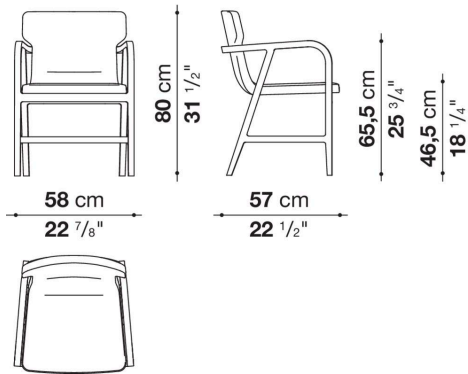
## Technical information

---

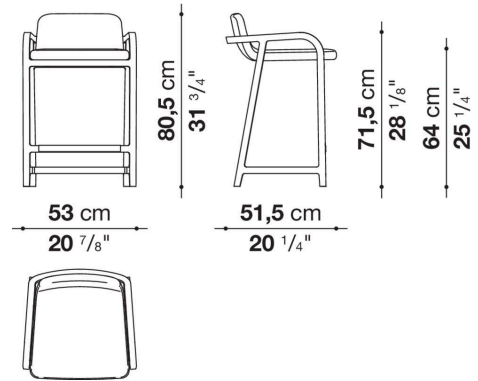
Seat upholstery  
steel frame, Bayfit® flexible cold shaped polyurethane foam  
Frame  
solid wood  
Ferrules  
thermoplastic material  
Additional ferrules  
felt  
Cover  
fabric or leather

# Technical drawings

**LX58**



**LX53B**



**LX53**

