

Biblia

STORAGE UNITS

2008

Antonio Citterio



Description

A bookcase created to accommodate large books, Biblia is made up of several modules in width and comes in three different heights, whereas the depth is always the same. It displays a remarkable interplay of strips marking the uprights.

Technical information

Frame

solid wood, veneered wood particles panel

Support

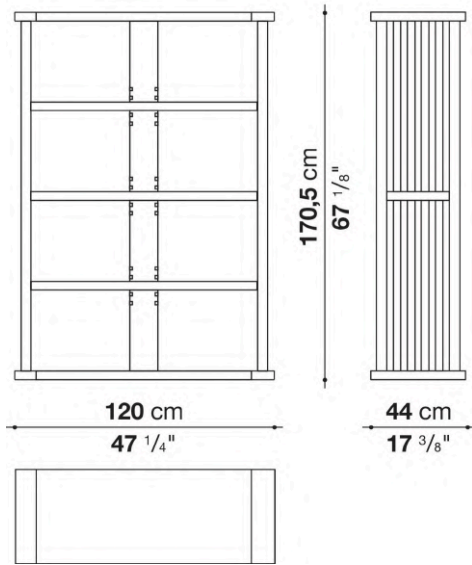
die-cast aluminium

Adjustable ferrules

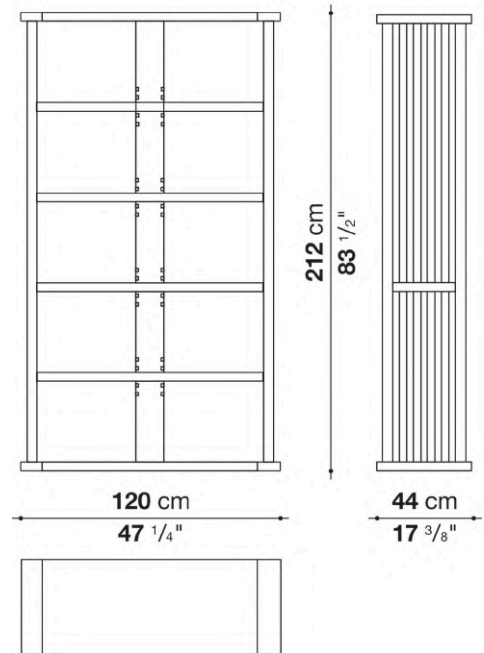
steel and plastic material

Technical drawings

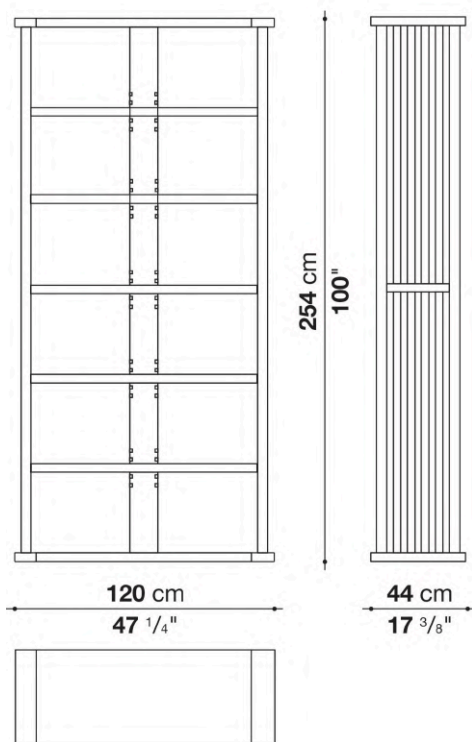
2821



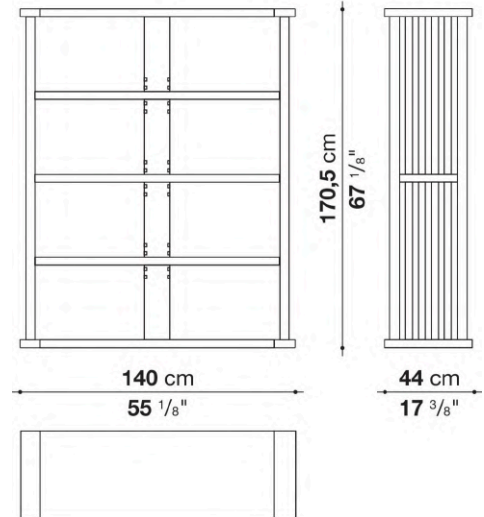
2822



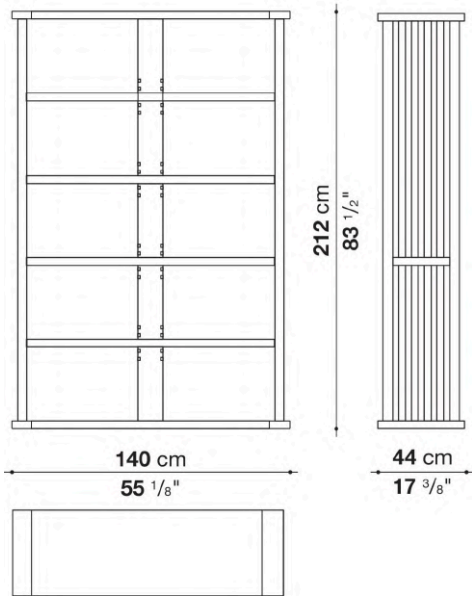
2823



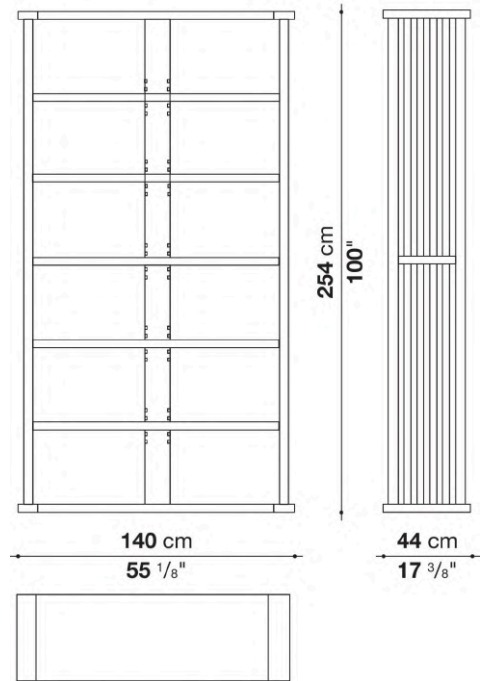
2824



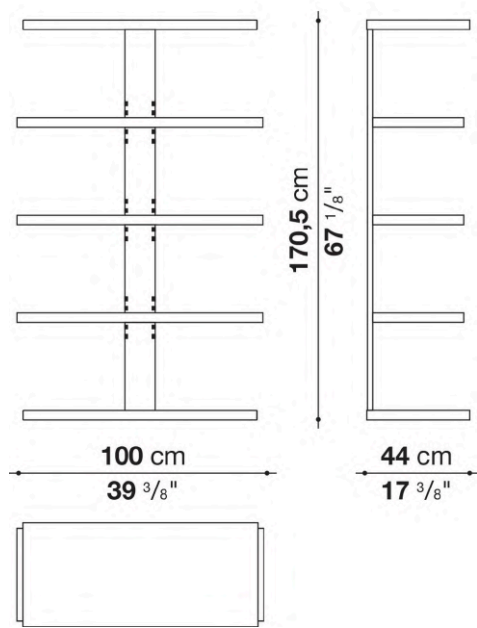
2825



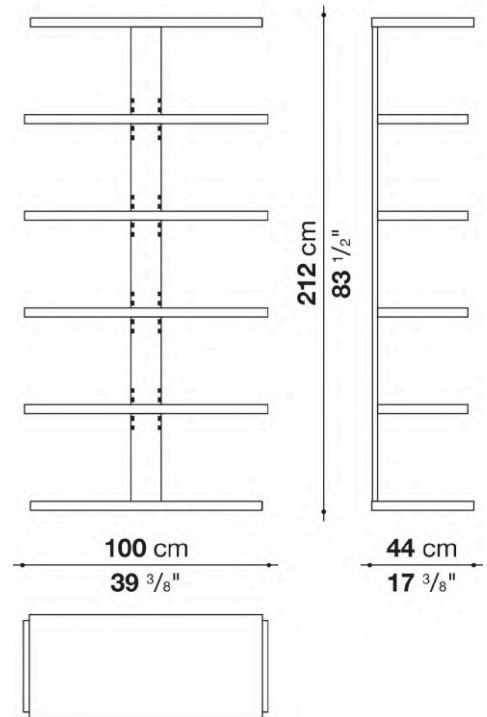
2826



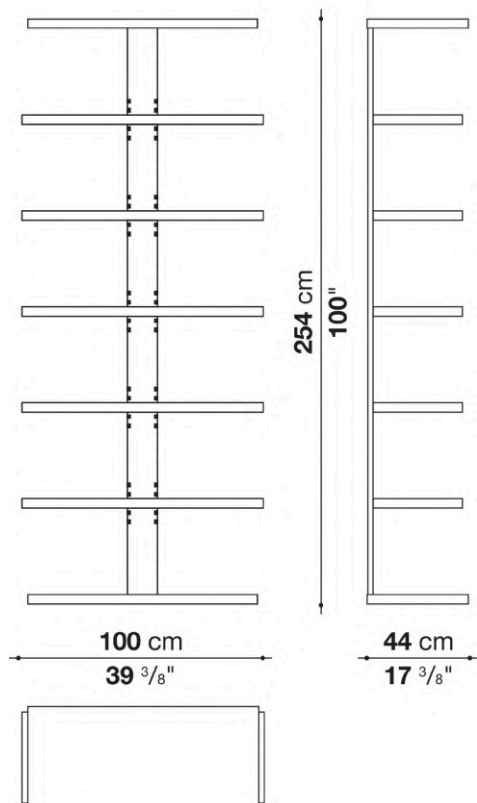
2821K



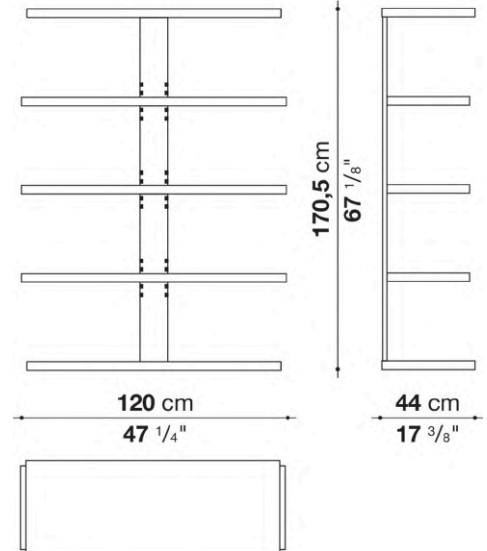
2822K



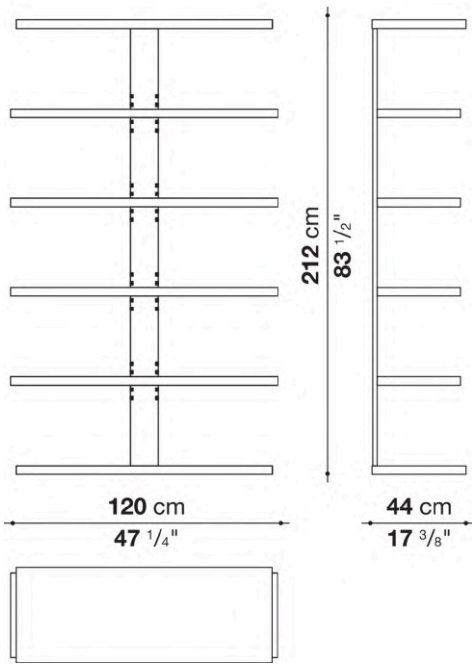
2823K



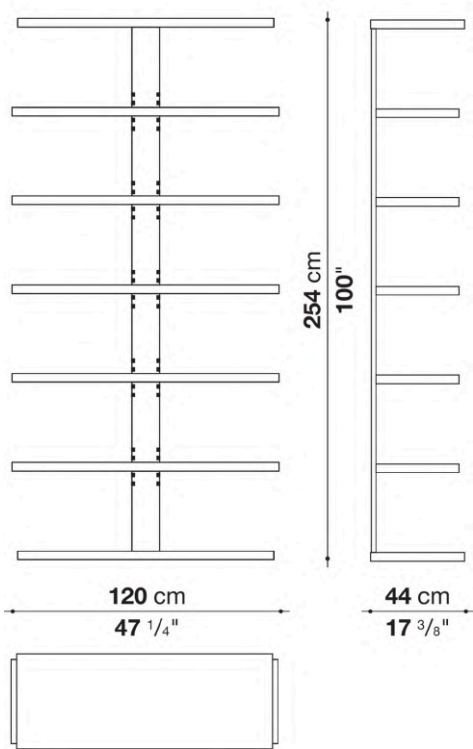
2824K



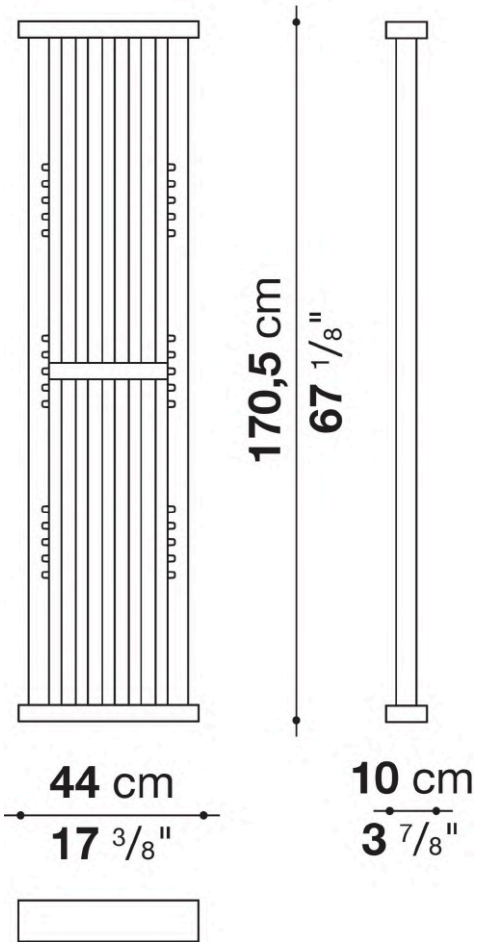
2825K



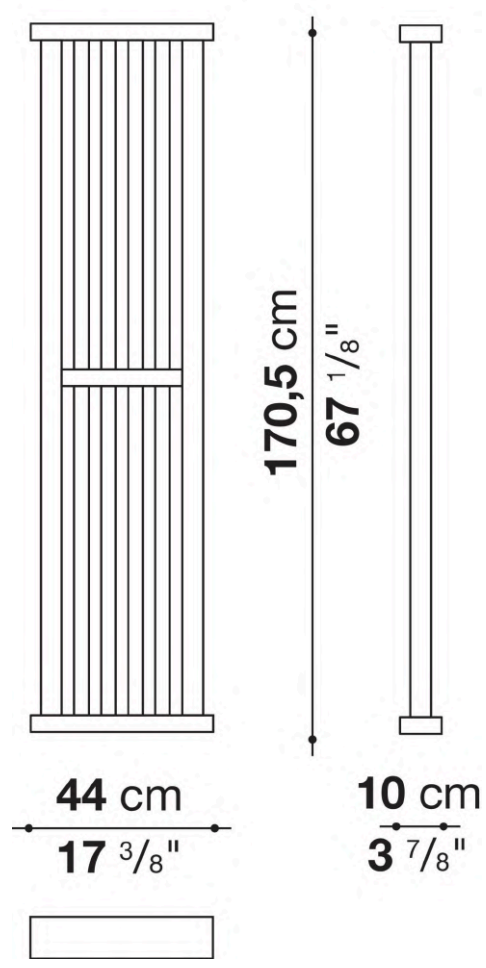
2826K



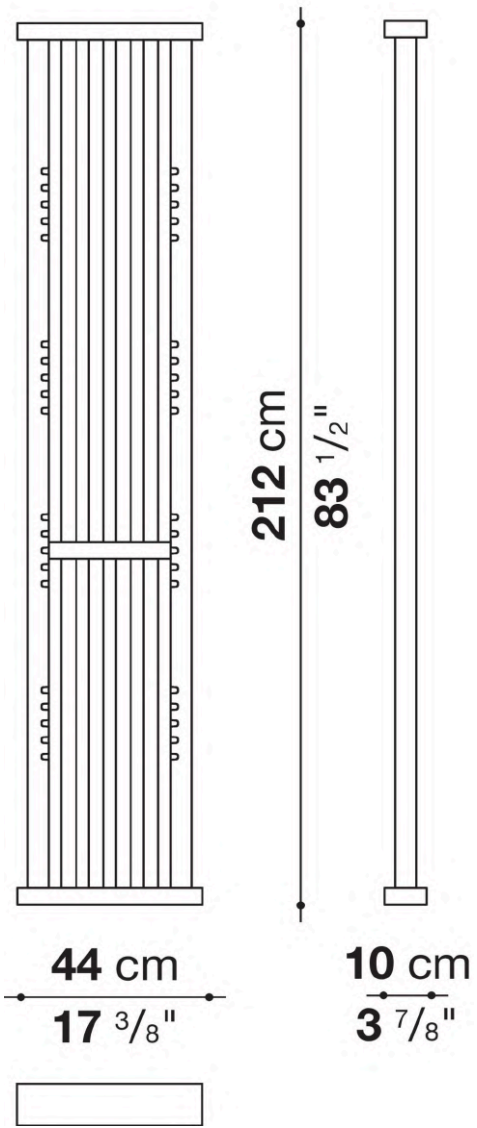
282C1



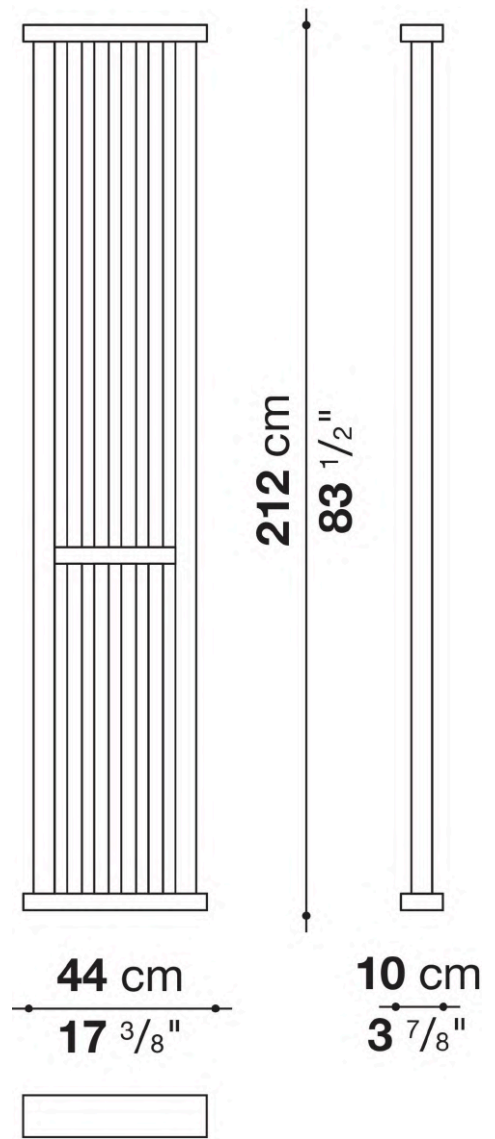
282L1



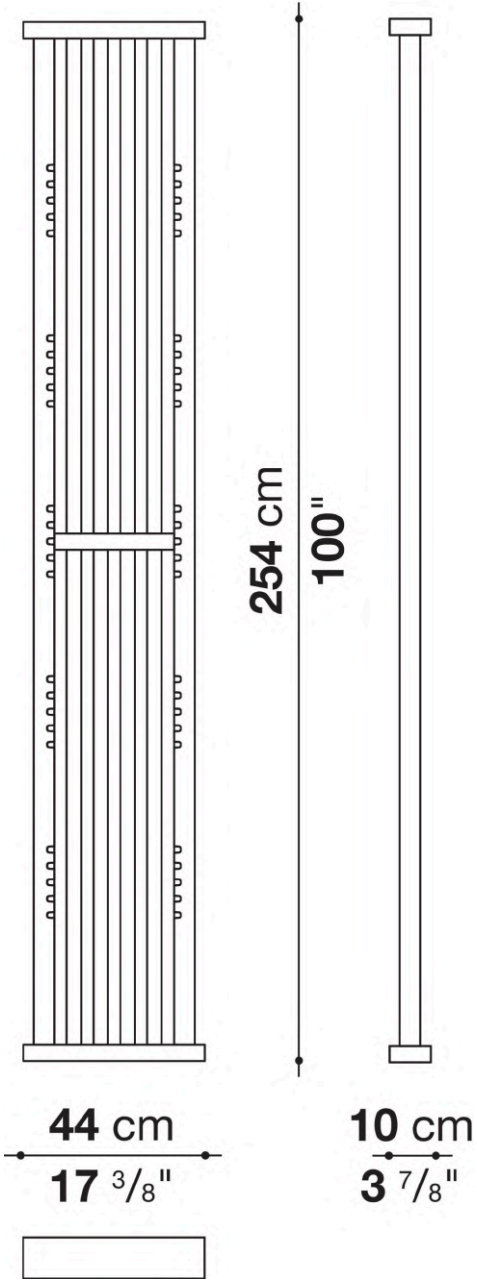
282C2



282L2



282C3



282L3

