



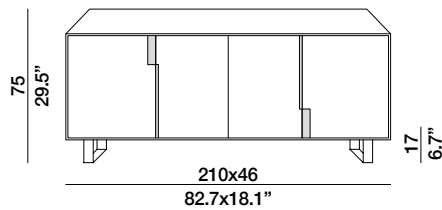
# imperial II

design marco fumagalli 2021

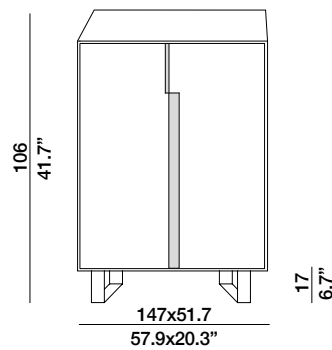
Wooden structure in multi-laminated wood with three available finishes: veneered ash wood or gloss lacquered or matte lacquered available in different RAL-colors: 9005, 5020, 6026, 3003, 9002, 7030, 7024, 3007, 6008 and NCS 2010Y70R. Storage unit in glass: 5 closed sides with extra clear toughened glass, 12 mm thick. Black painted metal base.

Struttura in legno multi laminato con tre finiture a scelta: impiallacciato legno frassino oppure laccato lucido o opaco disponibili nei seguenti colori RAL: 9005, 5020, 6026, 3003, 9002, 7030, 7024, 3007, 6008 e NCS 2010Y70R. All'interno presenta dei ripiani in vetro temperato. Maniglie in metallo rivestite in pelle. Piedi in metallo cromato lucido.

MAD matt or polished finishing



CZR matt or polished finishing



CZL matt or polished finishing

