

# Tobi-Ishi

TABLES

2012

Edward Barber & Jay Osgerby



## Description

---

Available both round and rectangular with rounded ends, Tobi-Ishi is a sculptural table that makes reference, stylistically and in its very name, to the ornamental stones used in traditional Japanese gardens. This iconic table brings together functional features with a statuesque appearance, with truly amazing results. The overhanging top and bases look different depending on the viewpoint, while the various finishes endow the table with highly personal interpretations: from cement grout to marble or wood, and from matt lacquering in a wide range of colours to glossy lacquering also in sophisticated candy red and smoke blue hues. With its sculptural line Tobi-Ishi becomes the protagonist of the space.

## Technical information

---

**Top (T160-T240R-T313R)**

MDF wood fibre panel

**Legs (T160-T240R-T313R)**

high density polyurethane resin (Baydur®)

**Counterweight (T160-T240R)**

cast iron

**Coupling plate (T313R)**

steel

**Adjustable ferrules (T160-T240R)**

plastic material

**Adjustable ferrules (T313R)**

thermoplastic material

**Top (T160L-T240RL)**

veneered wood particles panel with solid wood parts

**Top (T313RL)**

veneered wood particles panel with solid wood parts and multi-layered wood

**Legs (T160L-T240RL-T313RL)**

solid wood

**Coupling plate and counterweight (T160L-T240RL-T313RL)**

steel

**Adjustable ferrules (T160L-T240RL-T313RL)**

steel and plastic material

**Top and legs (T160M)**

marble (matt polyester finish or glossy polyester finish)

**Coupling plate (T160M)**

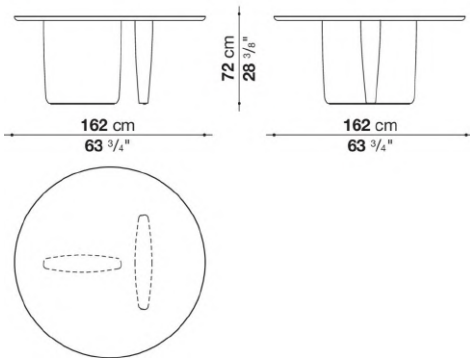
stainless steel

**Ferrules (T160M)**

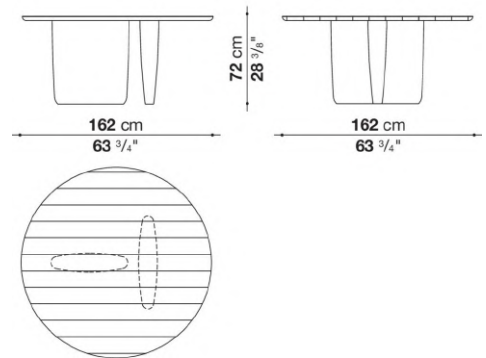
felt

# Technical drawings

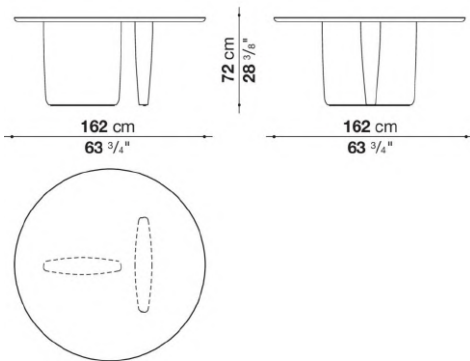
**T160**



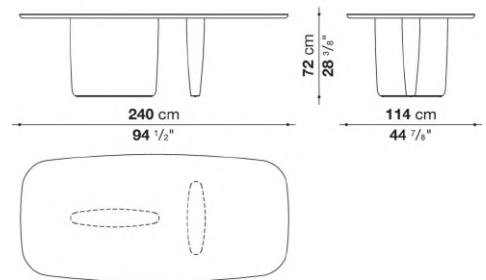
**T160L**



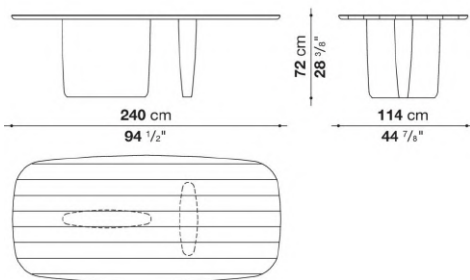
**T160M**



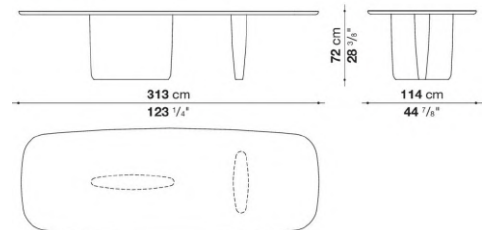
**T240R**



**T240RL**



**T313R**



T313RL

