



SPELLO *GABRIELE E OSCAR BURATTI DESIGN 2018*

TABLES

SPELLO | *GABRIELE E OSCAR BURATTI DESIGN* | 2018

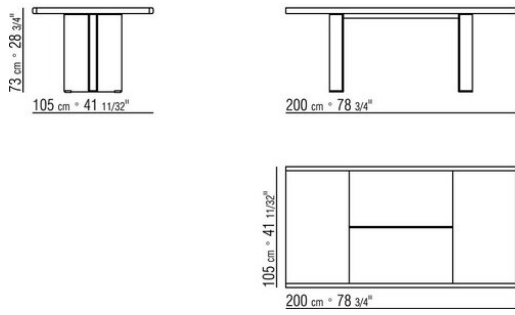
Frame in metal epoxy powder coated available in color: white 100, pearl beige 130, cream white 150, white mat 160, cream colour 205, wine red 405, kaki green 705, umbra grey 720, pearl mouse grey 740, brown grey 805, bronzed 820, black 900, burnished, glossy anthracite, titanium matt 710. Rests on pads made of thermoplastic material

Top in Canaletto walnut with raw-wood effect, natural, or stained walnut extra finish; or in ash with natural finish or stained walnut, stained teak, stained

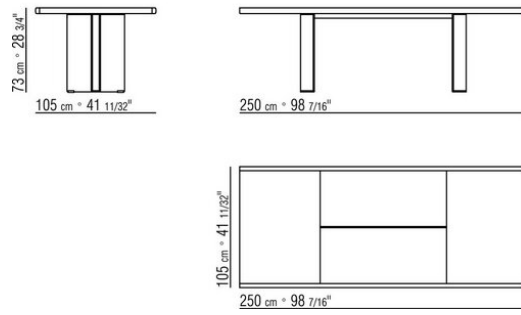
wenge, stained brown or stained ebony; or in oak with raw-wood effect finish. Also available with marble polished calacatta gold, matt calacatta gold, polished white carrara, polished nero marquina, polished emperador, matt emperador, polished emperador light, polished marron damasco, matt marron damasco, polished grey stardust, matt grey stardust

Art. "25287" not available with marble emperador

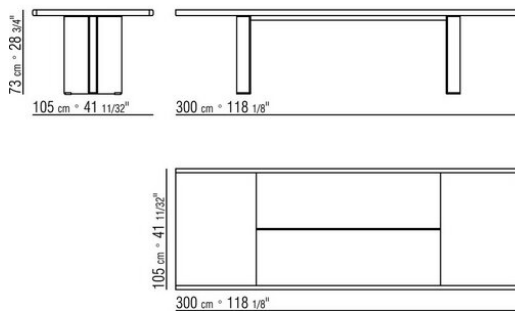
COD. 025280



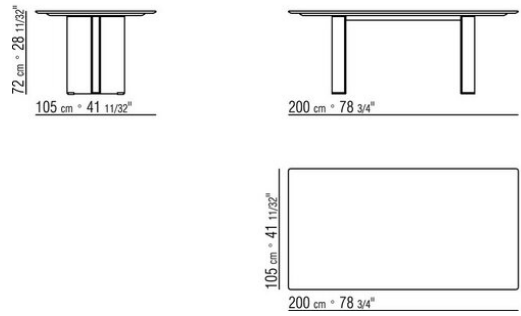
COD. 025281



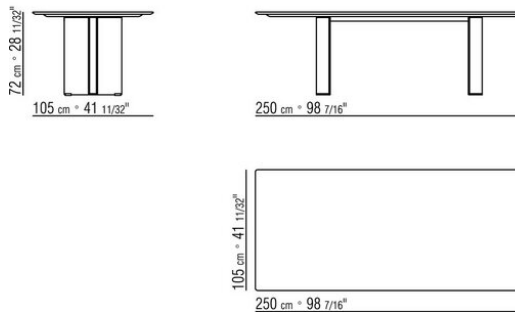
COD. 025282



COD. 025285



COD. 025286



COD. 025287

