

Selene

BEDS

1997

Antonio Citterio



Description

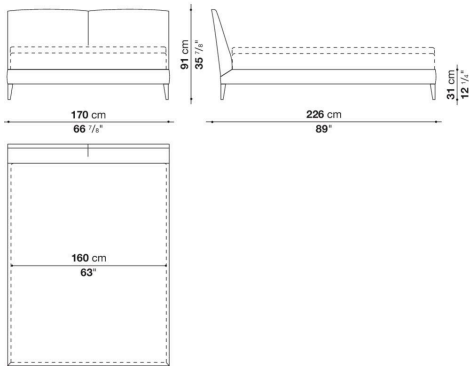
The Selene bed has a upholstered headboard and its cover completely removable. The bed sides are available in different widths, while the feet come in steel or covered with solid wood.

Technical information

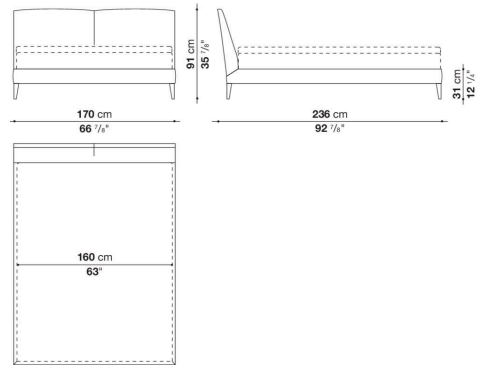
Internal frame
tubular steel and steel profiles
Internal frame upholstery
Bayfit® flexible cold shaped polyurethane foam, polyester fibre cover
Feet
steel sheet or solid wood
Wheels support frame
steel
Wheels
plastic material
Ferrules
thermoplastic material
Cover
fabric or leather

Technical drawings

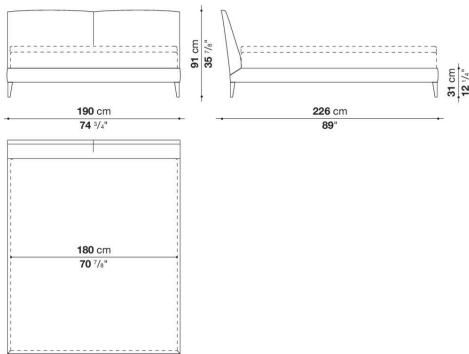
9745_2



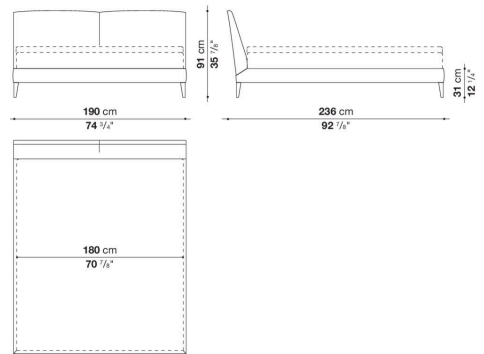
2369745_2



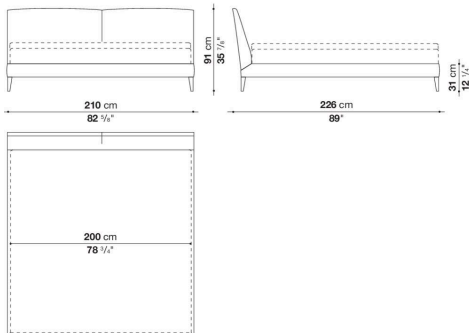
9745_4



2369745_4



9745_5



2369745_5

