

## Sidus

COMPLEMENTS

2004

Antonio Citterio



## Description

---

Sidus is a precious writing desk with rectangular top in curved wood or with an or with an unusual “bean” shape. Equipped with practical drawers, it is available in different sizes and finishes, also in the version with cable glands for functional and refined home office stations.

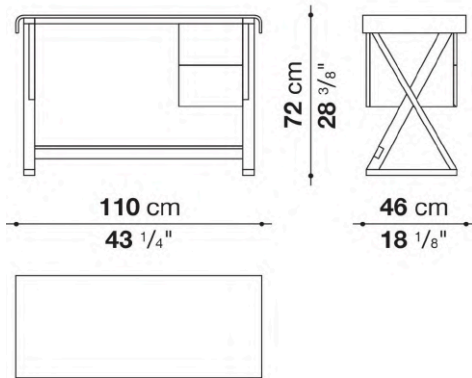
## Technical information

---

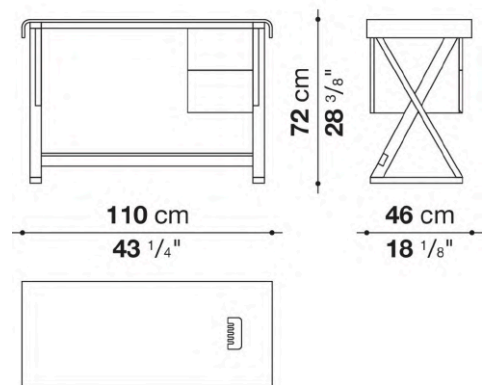
Top (SMSC11-SMSC13-SMSC17)  
veneered multi-layered wood panel or covered in thick leather  
Top (SMSC14)  
veneered multi-layered wood panel  
Top section (SMSC17\_S)  
steel sheet covered in leather  
Frame  
solid wood, veneered wood particles panel  
Drawer  
veneered multi-layered wood panel  
Cable flap  
steel  
Ferrules  
plastic material

# Technical drawings

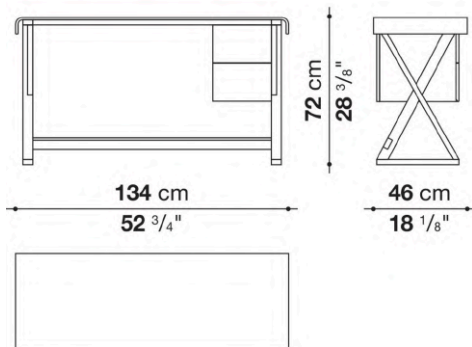
**SMSC11**



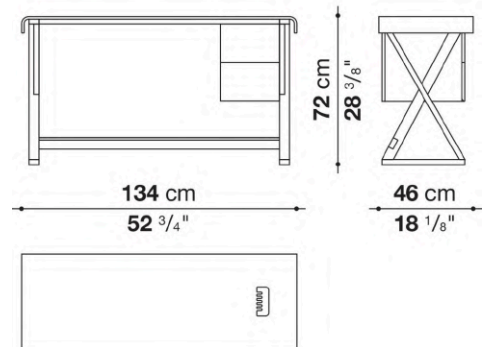
**SMSC11\_N**



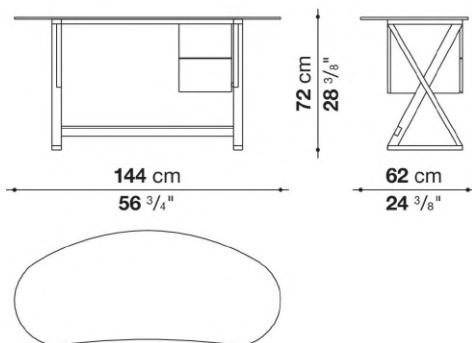
**SMSC13**



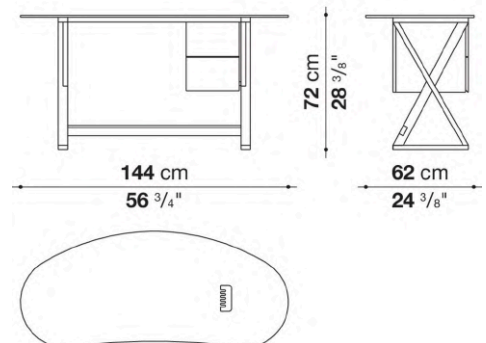
**SMSC13\_N**



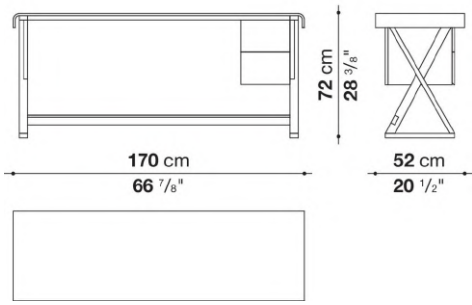
**SMSC14**



**SMSC14\_N**



**SMSC17**



**SMSC17\_N**

