

# echo

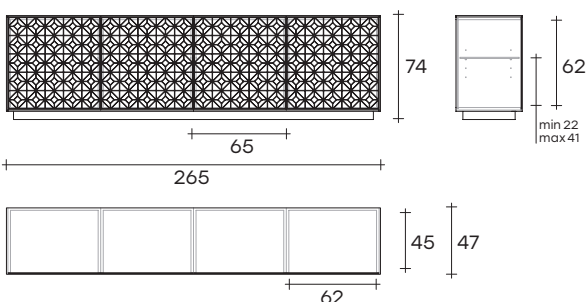
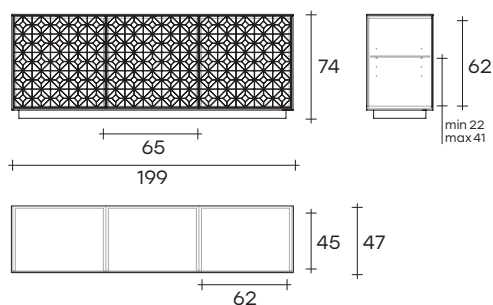
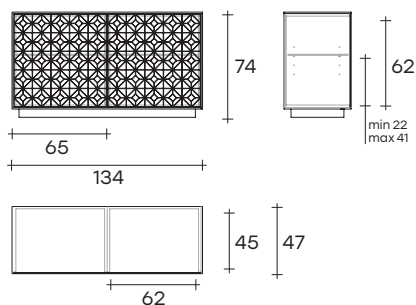
DESIGN MARCEL  
WANDERS STUDIO

modello registrato  
registered model

portata su ogni piano: 20 kg  
portata sul top: 30 kg  
load capacity on each shelf: 20 kg  
load capacity on the top: 30 kg

Madia con struttura in legno laccato bianco opaco, grigio vulcano, oppure Greige Metallizzato. Ante in vetro da 6 mm temperato, fuso oppure liscio, disponibili nelle seguenti finiture: vetro extralight retroverniciato bianco, grigio vulcano, oppure retroargentato; vetro bronzo retroargentato. Ripiani interni in vetro fumé da 8 mm temperato.

Cupboard with wooden lacquered structure in matt white, vulcan grey or Metallic Greige finish. Doors in 6 mm thick tempered glass, fused or flat, available in the following finishes: extralight back lacquered white, vulcan grey or back silvered glass; back silvered bronze glass. Inner shelves in 8 mm thick tempered smoke glass.



dimensioni L, P, H  
dimensions L, W, H  
(cm)

Madia con ante in vetro liscio retroverniciato o retroargentato.  
Cupboard with flat glass doors, back-painted or back-silvered.

	COD./CODE	L	P/W	H	peso netto net weight (kg)	peso lordo gross weight (kg)	volume imballo package volume (m <sup>3</sup> )
Madia con ante in vetro liscio retroverniciato o retroargentato. Cupboard with flat glass doors, back-painted or back-silvered.	ECM134...	134	47	74	76	120	0,95
	ECM199...	199	47	74	111	157	1,22
	ECM265...	265	47	74	135	183	1,53
Madia con ante in vetro fuso retroverniciato o retroargentato. Cupboard with fused glass doors, back-painted or back-silvered.	ECM134...	134	47	74	76	120	0,95
	ECM199...	199	47	74	111	157	1,22
	ECM265...	265	47	74	135	183	1,53

CODICE STRUTTURA _ CODE STRUCTURE		
COLORE LACCATURA _ LAQUERING COLORS		
Bianco <i>White</i>	Grigio vulcano <i>Vulcan grey</i>	Greige metallizzato <i>Metallic Greige</i>
<b>B/</b>	<b>VU/</b>	<b>GM/</b>

CODICE ANTE _ DOORS CODE				
COLORE RETROVERNICIATURA <i>BACK-PAINTING COLORS</i>	TIPO DI VETRO _ TYPE OF GLASS			
	Vetro extralight <i>Extralight glass</i>	Vetro bronzo <i>Bronze glass</i>	Vetro extralight fuso <i>Extralight fused glass</i>	Vetro bronzo fuso <i>Bronze fused glass</i>
Bianco <i>White</i>	<b>VX-B</b>		<b>VXF-B</b>	
Grigio Vulcano <i>Vulcan Grey</i>	<b>VX-VU</b>		<b>VXF-VU</b>	
Argentato <i>Silvered</i>	<b>VX-AR</b>	<b>VB-AR</b>	<b>VXF-AR</b>	<b>VBF-AR</b>

**FINITURE (alcune tra le possibili combinazioni)**  
**FINISHES (here is a selection of all the possible configurations)**

**Struttura in finitura grigio vulcano**  
**Vulcan grey finish structure**



ante in vetro extralight liscio  
 retroverniciato grigio vulcano  
 flat extralight glass doors,  
 vulcan grey back-painted



ante in vetro extralight liscio  
 retroverniciato grigio vulcano  
 flat extralight glass doors,  
 vulcan grey back-painted



ante in vetro extralight fuso  
 e retroargentato  
 fused and back-silvered  
 extralight glass doors

**Struttura in finitura bianco opaco**  
**Matt white finish structure**



ante in vetro extralight liscio  
 retroverniciato bianco  
 flat extralight glass doors,  
 white back-painted



ante in vetro extralight fuso  
 e retroverniciato bianco  
 fused extralight glass doors,  
 white back-painted



ante in vetro extralight fuso  
 e retroargentato  
 fused and back-silvered  
 extralight glass doors

**Struttura in finitura greige metallizzato**  
**Metallic greige finish structure**



ante in vetro bronzo liscio  
 e retroargentato  
 flat back-silvered  
 bronze glass doors



ante in vetro bronzo fuso  
 e retroargentato  
 fused and back-silvered  
 bronze glass doors