



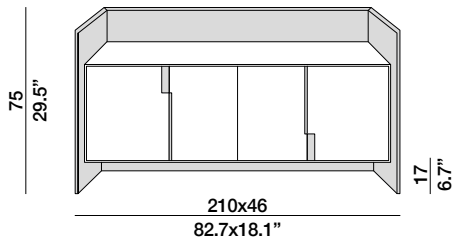
imperial

design marco fumagalli 2020

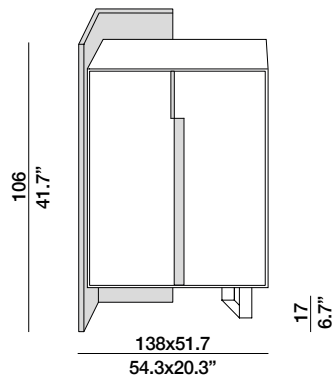
Wooden structure in multi-laminated wood with three available finishes: veneered ash wood or gloss lacquered or matte lacquered available in different RAL-colors: 9005, 5020, 6026, 3003, 9002, 7030, 7024, 3007, 6008 and NCS 2010Y70R. Shelves in toughened glass. Metal handles covered in leather. Polished chrome-plated metal leg.

Struttura in legno multi laminato con tre finiture a scelta: impiallacciato legno frassino oppure laccato lucido o opaco disponibili nei seguenti colori RAL: 9005, 5020, 6026, 3003, 9002, 7030, 7024, 3007, 6008 e NCS 2010Y70R. All'interno presenta dei ripiani in vetro temperato. Maniglie in metallo rivestite in pelle. Piedi in metallo cromato lucido.

MAD matt or polished finishing



CZR matt or polished finishing



CZL matt or polished finishing

