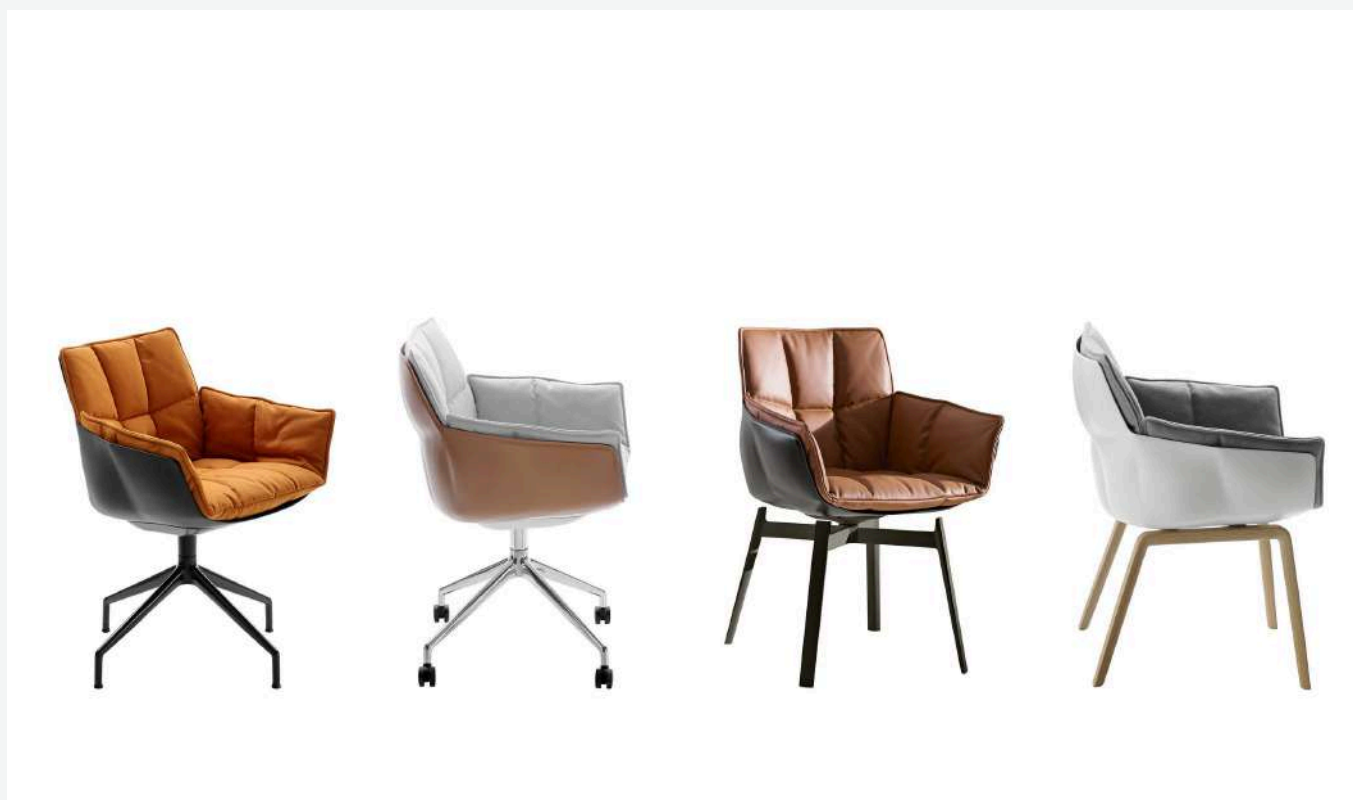


# Husk

CHAIRS

2012

Patricia Urquiola



## Description

---

Comfortable, with a modern combination of base and seat, it picks up the profile of the namesake armchair. The body, which is shaped with a design that cites the capitonné style, conveys a feeling of softness. In the Husk chair cushions, in fabric or leather, fixed with press studs, are distinguished by the quilting.

## Technical information

---

**Shell**

high density polyurethane resin (Baydur®)

**Shell cover (P1FCN-P1GCN-P2FC-P3FC-P4GC)**

thick leather

**Upholstery**

polyester fibre, needle polyester fibre section

**Support frame**

die-cast aluminium

**Support frame (P2F-P2FC)**

solid wood

**Wheels (P3F-P3FC)**

plastic material for soft or hard surfaces

**Ferrules**

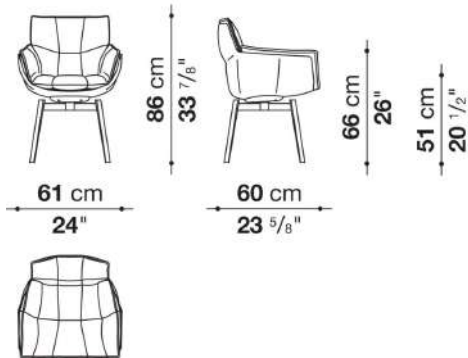
plastic material

**Cover**

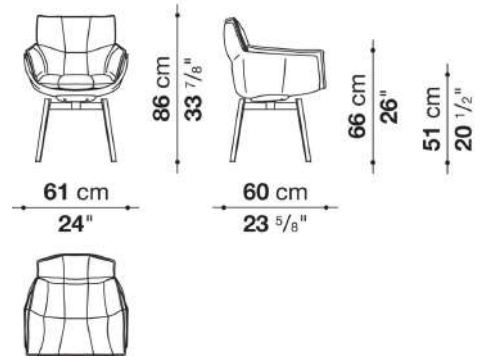
fabric or leather

# Technical drawings

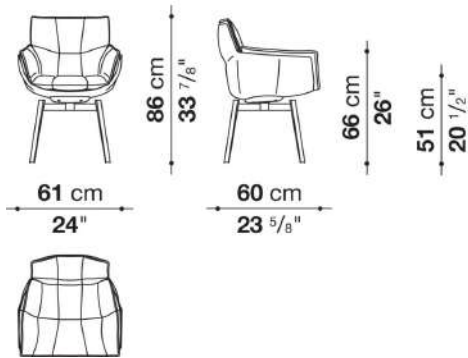
**P1FN**



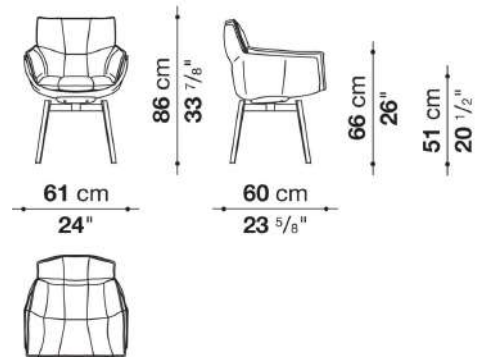
**P1FCN**



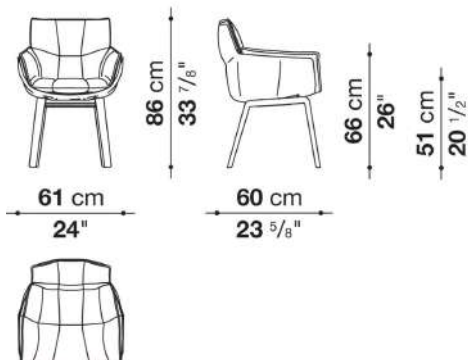
**P1GN**



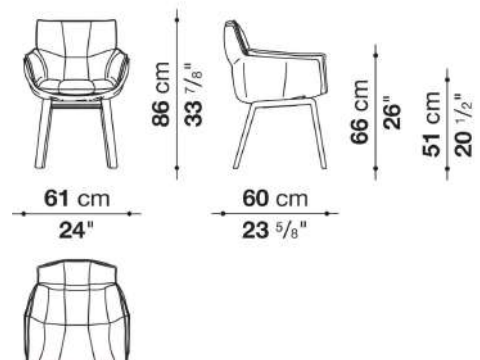
**P1GCN**



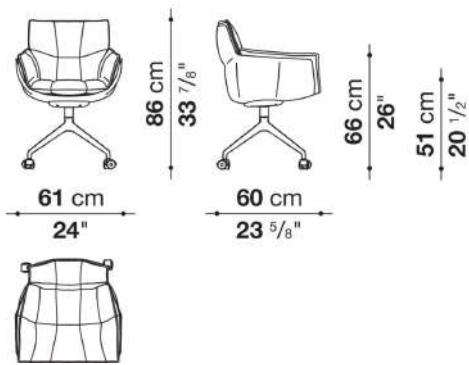
**P2F**



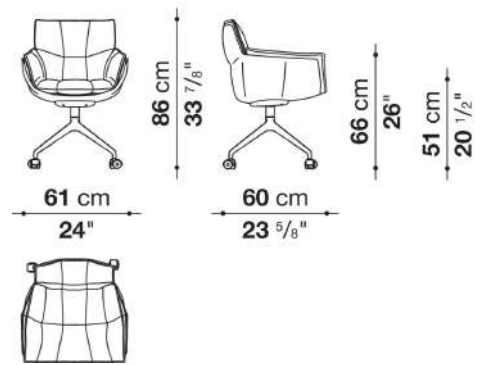
**P2FC**



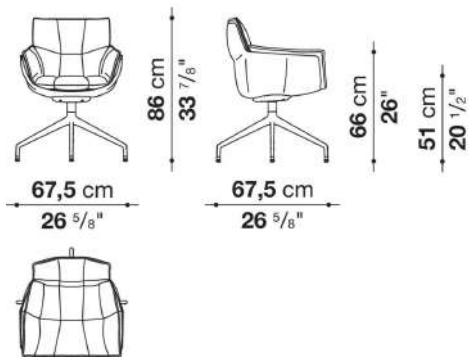
### P3F



### P3FC



### P4G



### P4GC

