



**A.B.C. ANTONIO CITTERIO 1996**  
ARMCHAIRS

---

## A.B.C. | ANTONIO CITTERIO | 1996

### ARMCHAIR

**Structure** in metal with satin, chrome, black chrome, burnished, glossy anthracite, matt titanium 710 finish. Rests on pads made of thermoplastic material.

**Seat** in plywood and metal with polyurethane foam padding, covered with a protective laminated fabric

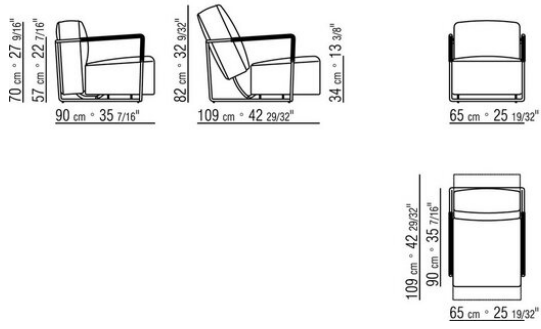
**Backrest** in plywood and metal with molded polyurethane padding, covered

with a protective laminated fabric. Patented recliner mechanism.

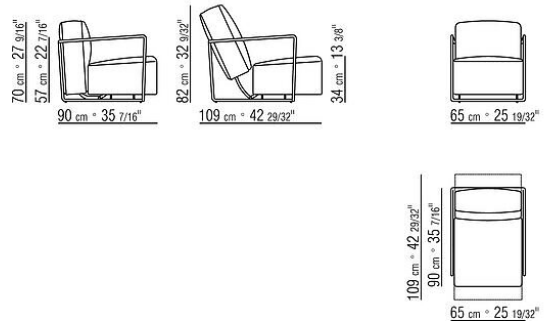
**Upholstery** is removable in both the fabric and leather versions.

**Armchair code. 11B11** with metal armrests upholstered in cowhide in colors: black, tobacco, natural, dark brown, grey, olive and russian red

COD. 011B11



COD. 011B01



COD. 011B50

