

## Soleide

COMPLEMENTS

2024

Antonio Citterio



## Description

---

Soleide is a collection of consoles, in different sizes, with a die-cast aluminium base and a top in hammered mirror steel that gives them a particularly original and precious effect.

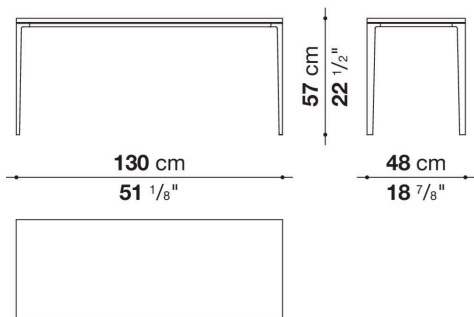
## Technical information

---

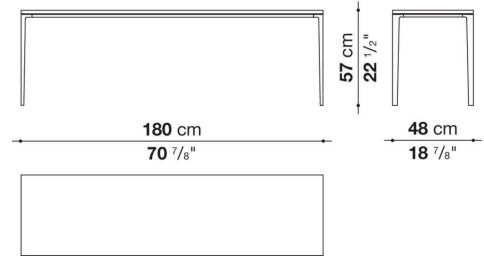
Top  
stainless steel sheet on a MDF wood fibre support  
Support frame  
die-cast aluminium and extrusions with metal supports  
Ferrules  
plastic material

# Technical drawings

**CSL130\_4**



**CSL180\_4**



**CSL240\_4**

