

# Cocùn

SOFAS

2025

Antonio Citterio



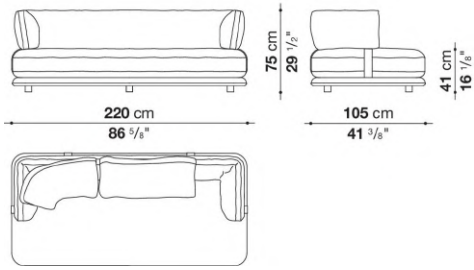
## Description

A welcoming haven, a soft embrace, a seating system designed to envelop and accommodate. With Cocùn, Antonio Citterio explores an idea of fluid, unconstrained comfort, giving life to a modular sofa that becomes a true archipelago of possibilities. Cocùn is a seating system articulated through five different geometric forms: a rectangular module, two curved dormeuse modules, a chaise longue, and a corner unit. These elements can be freely combined to create a multitude of compositions, harmoniously adapting to any setting, from expansive living areas to more intimate spaces. With its enveloping, refined design, Cocùn's lines express a contemporary elegance. The padded base evokes a sense of lightness, while the backrest, discreetly attached to the base using steel brackets upholstered in fabric or thick leather, offers ergonomic support without disrupting the fluidity of the forms. Cocùn is characterised by premium materials and sophisticated detailing. The aluminium base profile enhancing its aesthetic refinement. The soft, generous cushions ensure enveloping comfort, turning every seat into a uniquely sensory experience. The system invites both social interaction and relaxation.

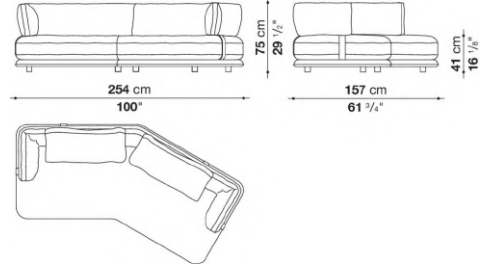


# Technical drawings

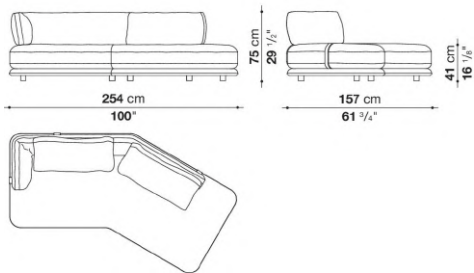
**CO220**



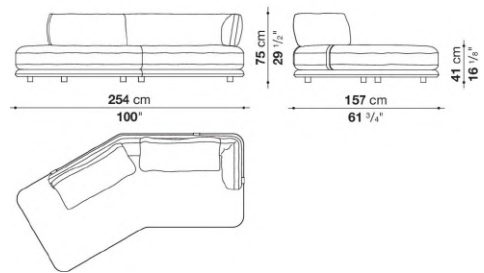
**CO254**



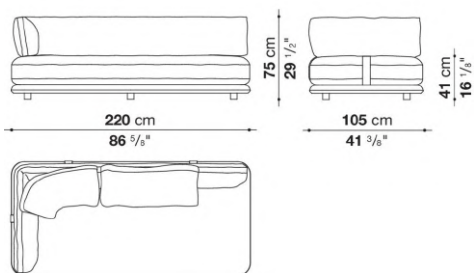
**CO254S**



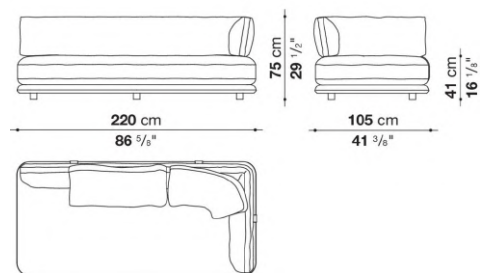
**CO254D**



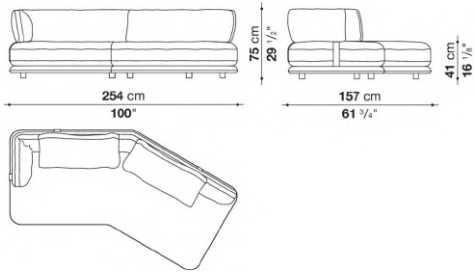
**CO220TS\_1**



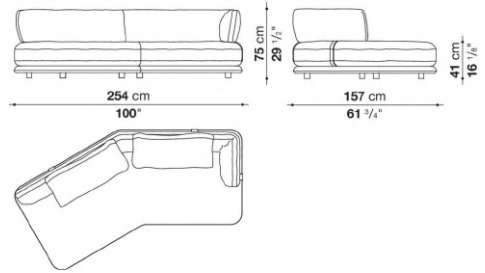
**CO220TD\_1**



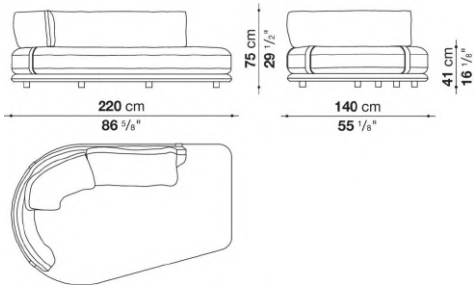
**CO254TS**



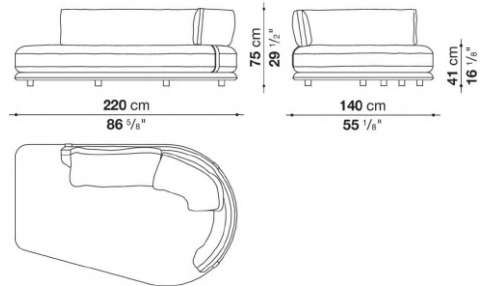
**CO254TD**



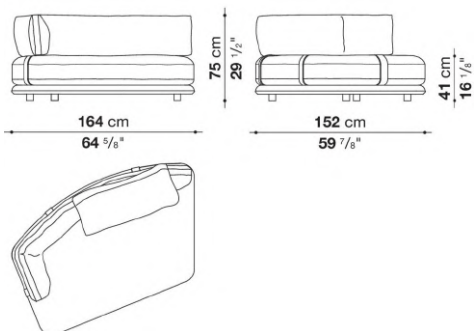
**CO220TS\_2**



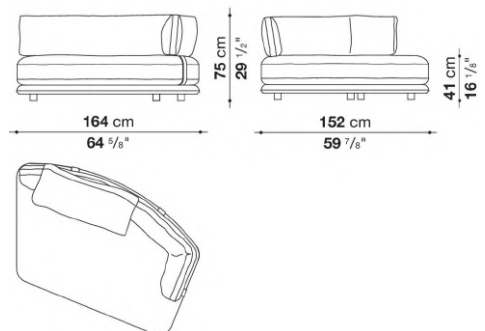
**CO220TD\_2**



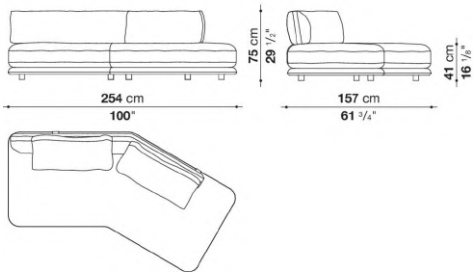
**CO164TS**



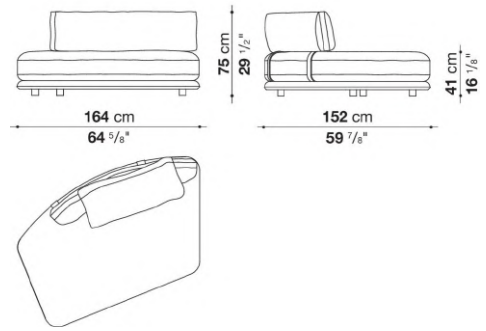
**CO164TD**



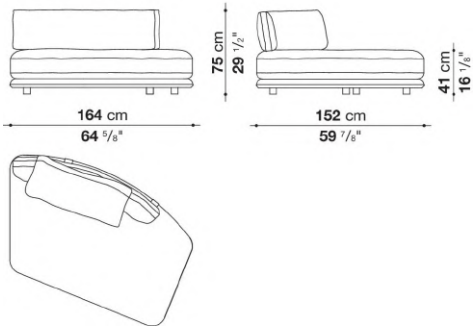
**CO254TPS**



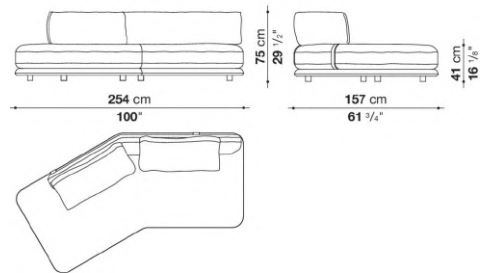
**CO164TPD**



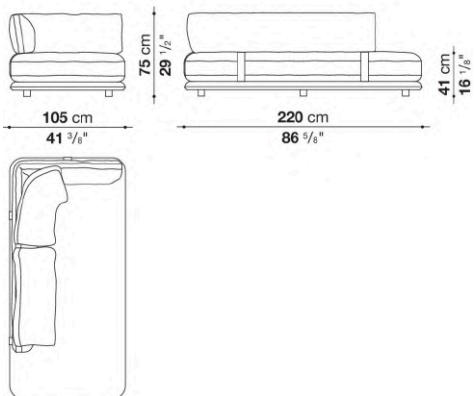
**CO164TPS**



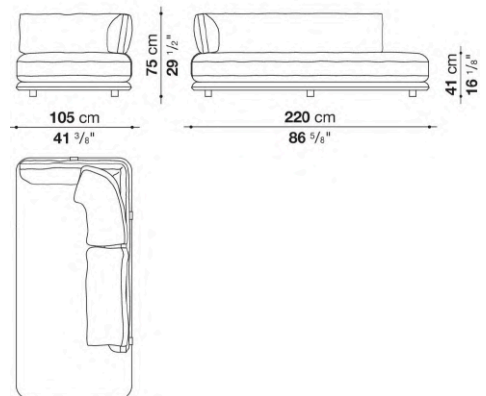
**CO254TPD**



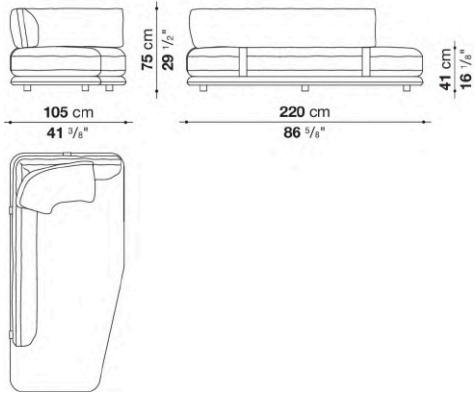
**CO220LS\_1**



**CO220LD\_1**



**CO220LS\_2**



**CO220LD\_2**

