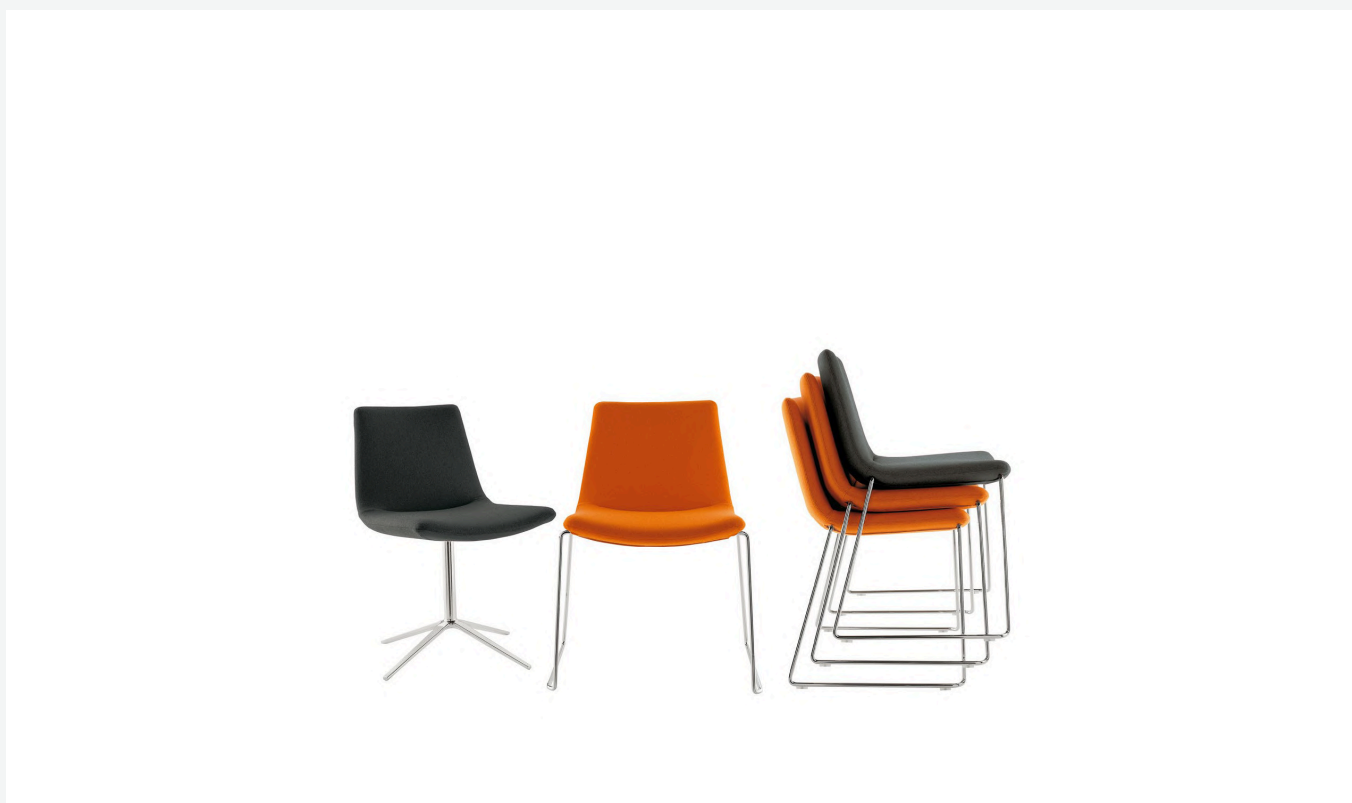


Cosmos

CHAIRS

2006

Jeffrey Bernett



Description

The decidedly contemporary Cosmos chair stands out for its frame available in different versions: from the one with a classic four-spoke base in brushed aluminium and a swivel seat, to the stackable one in chromed steel rod, particularly suited to the contract industry. Extremely comfortable thanks to the generous padding, it can be upholstered in fabric or leather.

Technical information

Internal frame

tubular steel and steel profiles

Internal frame upholstery

Bayfit® flexible cold shaped polyurethane foam, polyester fibre cover

Swivel support frame (CS48)

die-cast aluminium and extrusions

Support frame (CS48F)

drawn steel

Ferrules

thermoplastic material

Clip for joining chairs (CLP)

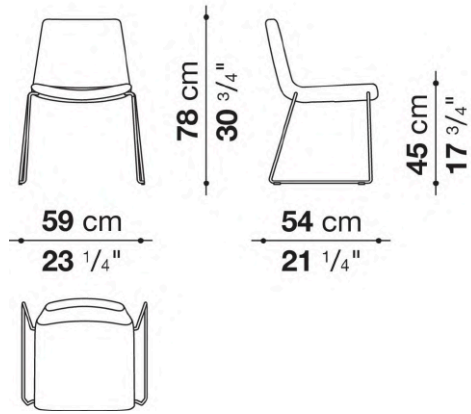
plastic material

Cover

fabric or leather in limited categories

Technical drawings

CS48F



CS48

