

Xilos

TABLES

2012

Antonio Citterio



Description

The distinguishing feature of the Xilos table collection, available in a square and round version, is its cross-shaped frame in wood. The round version is also available with a top in marble and can be paired with a swivel tray in two sizes and different finishes (the same types of wood as the frame or with a top in marble).

Technical information

Top

veneered plywood panel with honeycomb-core and wood particles or lower shelf in ceiba blockboard and MDF, marble (glossy polyester finish)

Frame

veneered solid wood or solid wood and veneered multi-layered wood panel

Swivel tray (SMTG7N-SMTG11-SMTG16N)

HPL stratified laminate panel, veneered wood particles panel or marble (glossy polyester finish)

Swivel tray rotation mechanism (SMTG7N-SMTG11-SMTG16N)

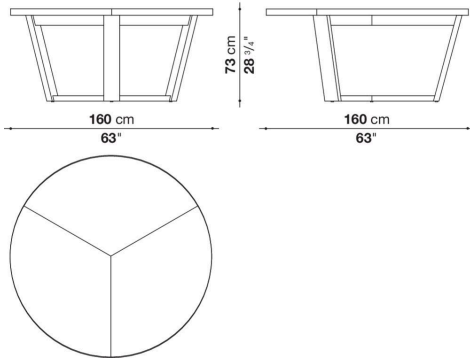
aluminium with steel balls

Adjustable feet

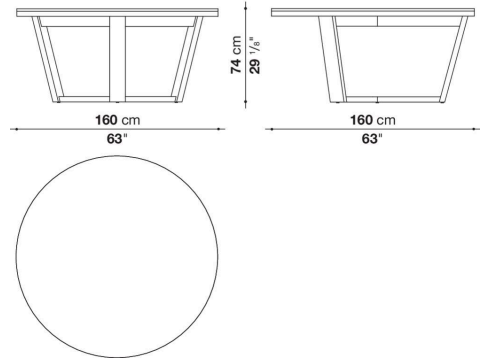
steel and plastic material

Technical drawings

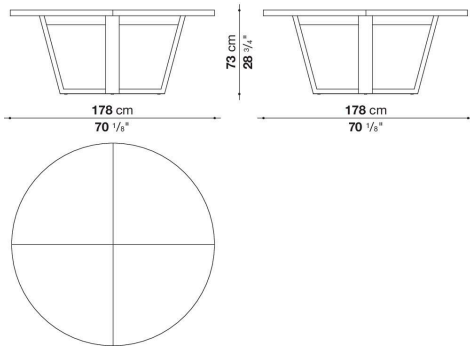
SMTT16N



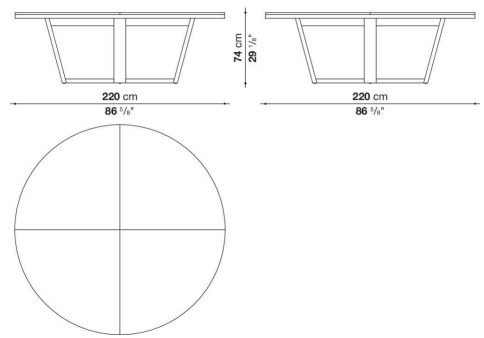
SMTT16PN



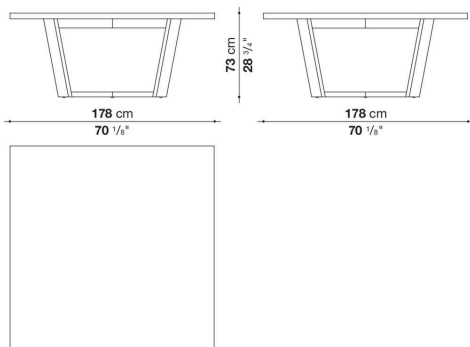
SMTT18



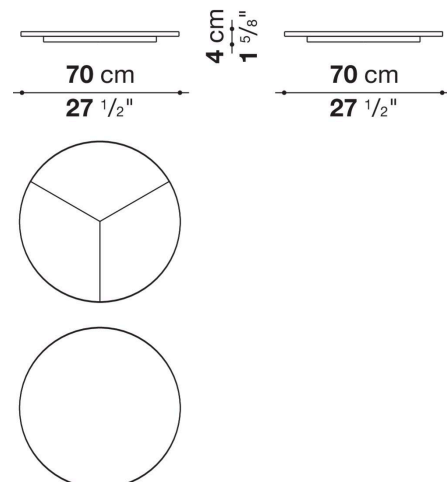
SMTT22P



SMTQ18N

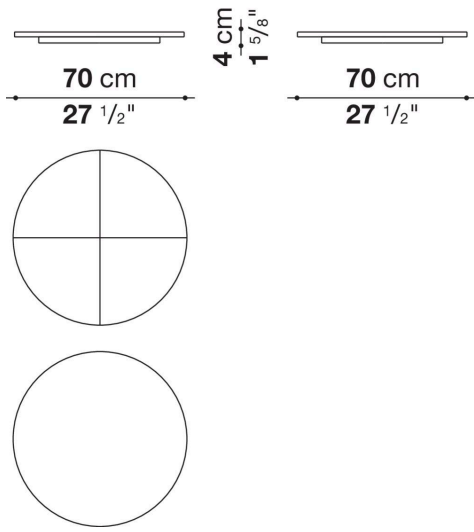


SMTG16N

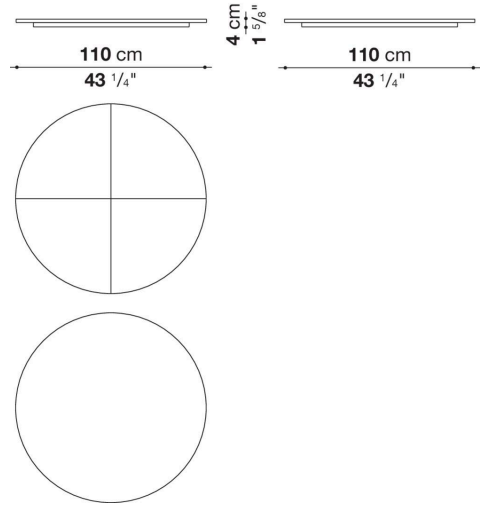




SMTG7N



SMTG11



SMTT18P

