

FLEXFORM



VICTOR LARGE *DESIGN CENTER* **1999**

SOFAS

FLEXFORM Spa

Via Einaudi 23/25 20821 Meda (MB) Italy | Tel. +39 0362 3991 | info@flexform.it | www.flexform.it

VICTOR LARGE | *DESIGN CENTER* | 1999

SOFA

Frame in wood with polyurethane padding covered with a protective fabric lining

Seat cushions in polyurethane foam and dacron

Backrest cushions in sterilized goose down (Assopiuma certified, gold label)

Optional throw pillows in sterilized goose down (Assopiuma certified, gold label).

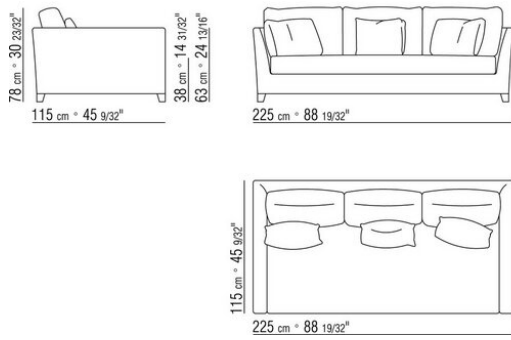
Optional throw pillows are upon request, with upcharge

Feet in solid Canaletto walnut with raw-wood effect, natural, or stained walnut extra finish; or in solid ash with natural finish or stained walnut, stained teak, stained wenge, stained brown or stained ebony; or in solid oak with raw-wood effect finish.

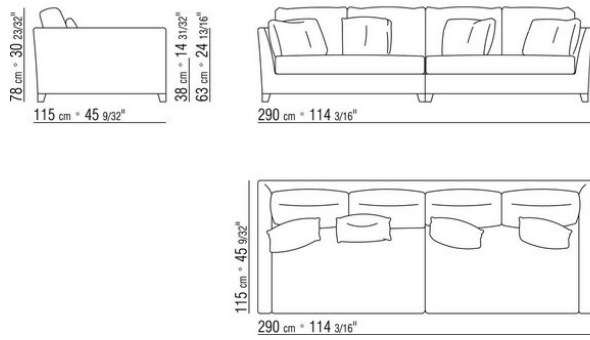
On request with upcharge feet in aluminium. See code 14290 of "Victor" model

Upholstery removable fabric or not removable leather covers

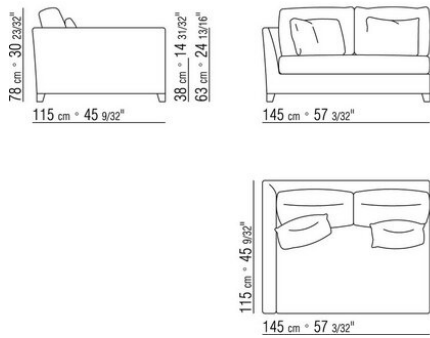
COD. 014224



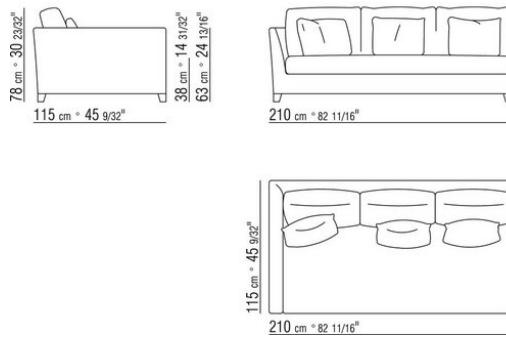
COD. 014228



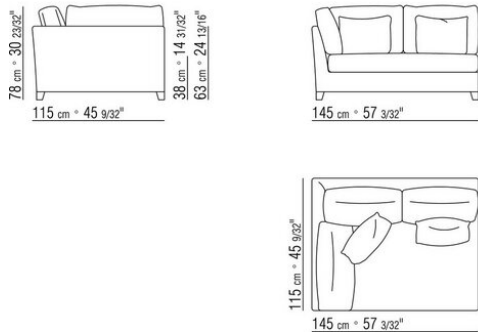
COD. 014231



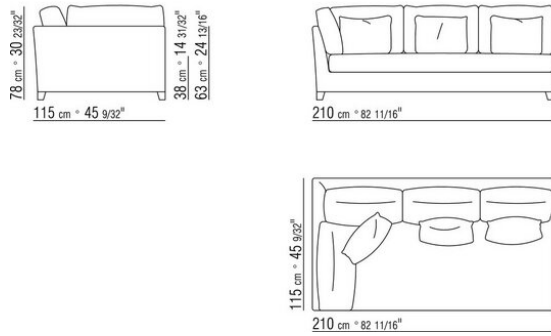
COD. 014233



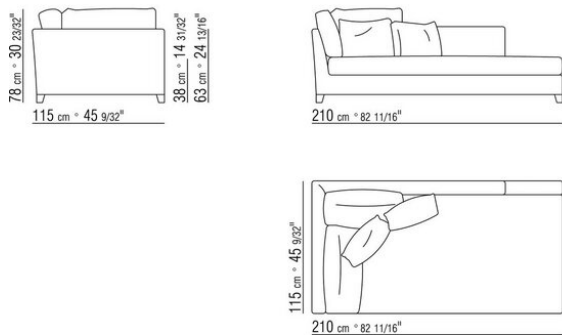
COD. 014241



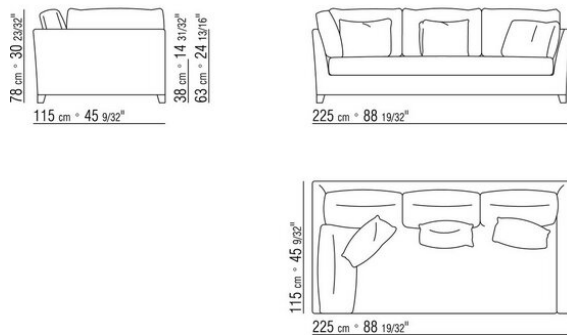
COD. 014243



COD. 014247



COD. 014249



COMPOSITIONS | VICTOR LARGE

0142XC

- N.1 COD.014233 - END UNIT L CM.210 x115
- N.1 COD.014247 - LONG CORNER L CM.210 x115
- N.3 COD.014299 - CUSHION CM.40 x40

