



LLT wood

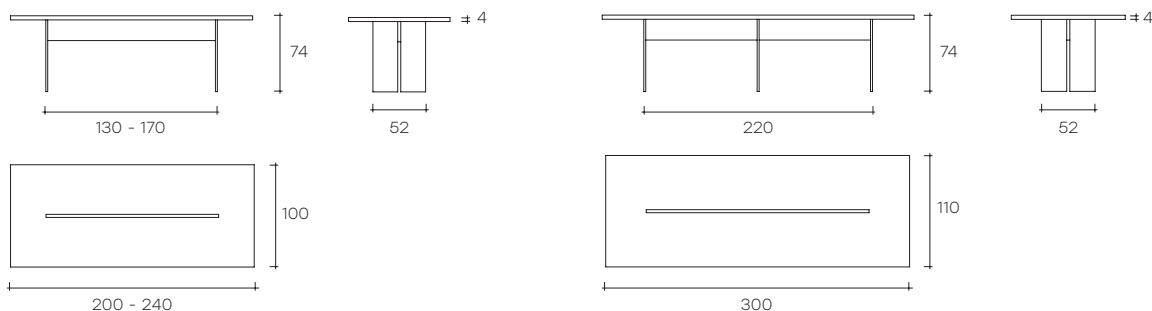
DESIGN
DANTE O. BENINI
E LUCA GONZO

modello registrato
registered model

portata sul piano: 150 kg
load capacity on top: 150 kg

Tavolo con piano in legno multistrato marino da 40 mm impiallacciato noce canaletto, o rovere "old" oppure in legno spatolato a mano con Ecomalta, spatolatura tipo materica. Struttura in vetro trasparente o extralight stratificato da 30 mm e gambe in vetro trasparente o extralight da 19 mm.

Table with top in 40 mm multilayered marine plywood veneered, canaletto walnut or "old style" oak finish, or in wood hand-finished with Ecomalta, rough texture finish. Structure in 30 mm layered glass, transparent or extralight and legs in 19 mm transparent or extralight glass.



dimensioni L, P, H
dimensions L, W, H
(cm)

	COD./CODE	L	P/W	H	peso netto net weight (kg)	peso lordo gross weight (kg)	volume imballo package volume (m ³)
Piano impiallacciato noce canaletto. Top in canaletto walnut finish.	LLTW/2010N	200	100	74	96	148	1,35
	LLTW/2410N	240	100	74	113	175	1,67
	LLTW/3011N	300	110	74	156	236	2,16
Piano impiallacciato noce canaletto. Base in vetro extralight. Top in canaletto walnut finish. Extralight glass base.	LLTW/2010XN	200	100	74	96	148	1,35
	LLTW/2410XN	240	100	74	113	175	1,67
	LLTW/3011XN	300	110	74	156	236	2,16
Piano impiallacciato rovere "old". Top in "old style" oak finish.	LLTW/2010RO	200	100	74	96	148	1,35
	LLTW/2410RO	240	100	74	113	175	1,67
	LLTW/3011RO	300	110	74	156	236	2,16
Piano impiallacciato rovere "old". Base in vetro extralight. Top in "old style" oak finish. Extralight glass base.	LLTW/2010XRO	200	100	74	96	148	1,35
	LLTW/2410XRO	240	100	74	113	175	1,67
	LLTW/3011XRO	300	110	74	156	236	2,16



dimensioni L, P, H dimensions L, W, H (cm)	COD./CODE	L	P/W	H	peso netto net weight (kg)	peso lordo gross weight (kg)	volume imballo package volume (m ³)
Piano spatolato in Ecomalta. Hand-finishes Ecomalta wood top.	LLTW/2010EC	200	100	74	96	148	1,35
	LLTW/2410EC	240	100	74	113	175	1,67
	LLTW/3011EC	300	110	74	156	236	2,16
Piano spatolato in Ecomalta. Base in vetro extralight. Hand-finishes Ecomalta wood top. Extralight glass base.	LLTW/2010XEC	200	100	74	96	148	1,35
	LLTW/2410XEC	240	100	74	113	175	1,67
	LLTW/3011XEC	300	110	74	156	236	2,16

PIANO IN ECOMALTA - ECOMALTA FINISH TOP

FINITURE FINISHES	CODICE CODE
Tabacco Tobacco	MTA
Nero Assoluto Absolute Black	MNE

PIANI CUSTOM _ CUSTOM TOPS

Tavolo LLT Wood è realizzabile anche con dimensioni a misura.
Custom size LLT Wood available on request.

GAMBA LEG	MISURA MINIMA DEL TOP MINIMUM DIMENSION OF THE TOP	MISURA MASSIMA DEL TOP MAXIMUM DIMENSION OF THE TOP
L cm 90X45	160X80	180X90
L cm 130X52	190x100	220x120
L cm 170x52	230x100	280x120
L cm 220x52	290x100	305x120



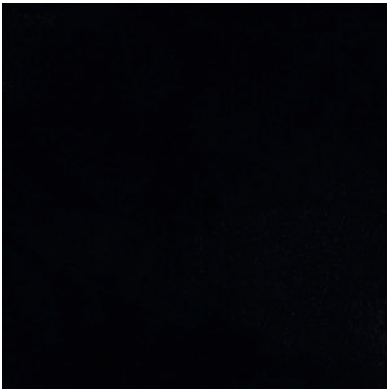
FINITURE
FINISHES

Piano in legno
Wood top

noce canaletto
canaletto walnut



rovere "old"
"old style" oak

Piano in legno spatolato con Ecomalta®
Ecomalta® hand-finished wood top

nero assoluto
absolute black



tabacco
tobacco