

# Mirto Indoor

SMALL TABLES

2016

Antonio Citterio



## Description

---

Mirto Indoor is a series of square or rectangular low and service tables, available in various sizes, all with a die-cast aluminium frame. Both the frames and the tops come in a wide range of finishes.

## Technical information

---

**Frame**

die-cast aluminium and aluminium extrusions

**Top**

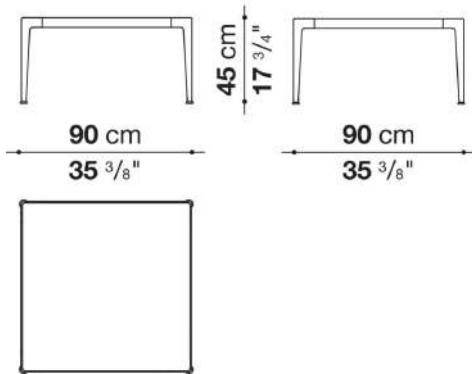
veneered MDF wood fibre panel, glass or marble (matt polyester finish or glossy polyester finish)

**Ferrules**

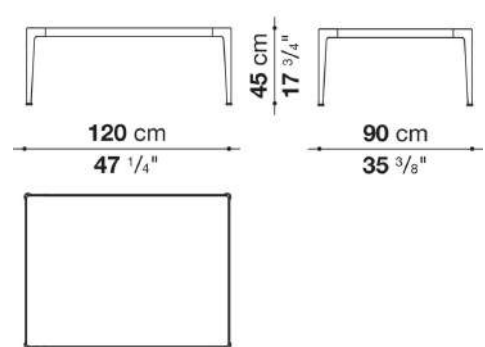
thermoplastic elastomer

# Technical drawings

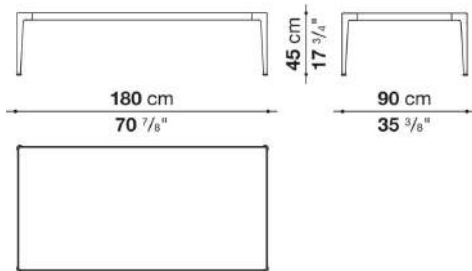
**IMT90Q\_4**



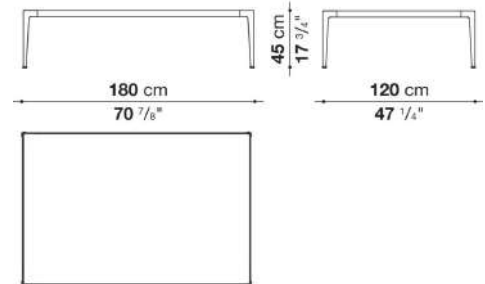
**IMT120\_4**



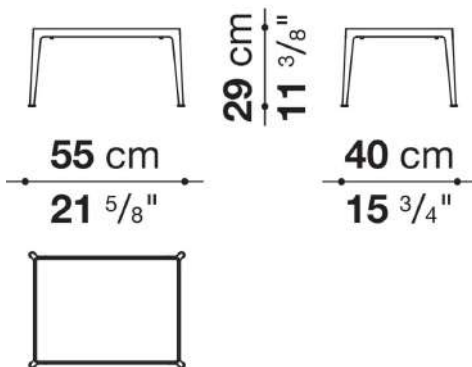
**IMT180A\_4**



**IMT180B\_4**



**IMT54**



**IMT55\_5**

