

# Tufty-Time 20

SMALL TABLES

2025

Patricia Urquiola



## Description

---

Designed to accompany the seating system of the same name, the Tufty-Time 20 coffee tables are available in different sizes, including a version designed to fit seamlessly between the sofa's modular elements. The coffee tables are available entirely in oak wood or with oak wood frames in combination with tops in brill anodized aluminium.

## Technical information

---

**Top**

veneered MDF wood fibre panel or aluminum plate

**Base**

veneered MDF wood fibre panel

**Plate, brace, base ballast**

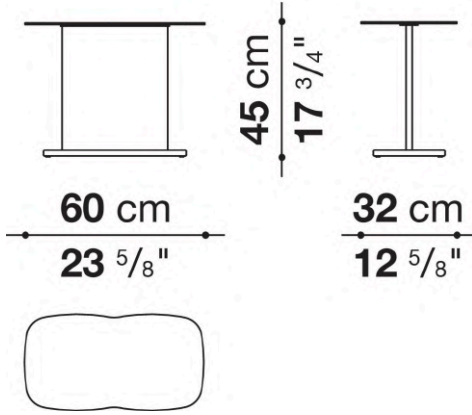
steel

**Ferrules**

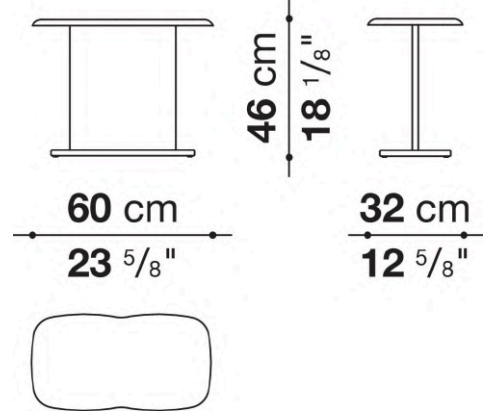
plastic material or felt

# Technical drawings

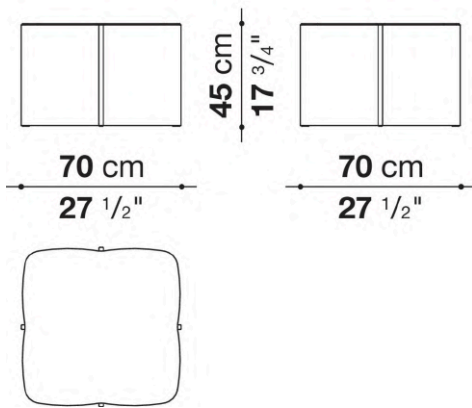
## TYT60\_A



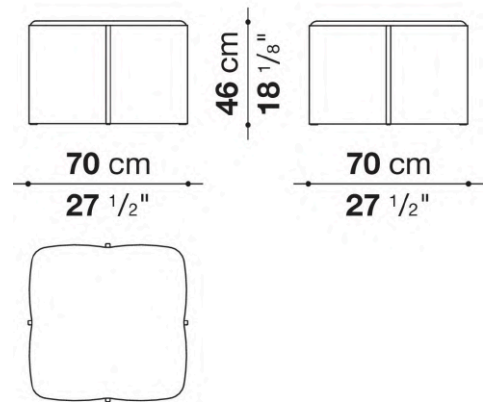
## TYT60\_AL



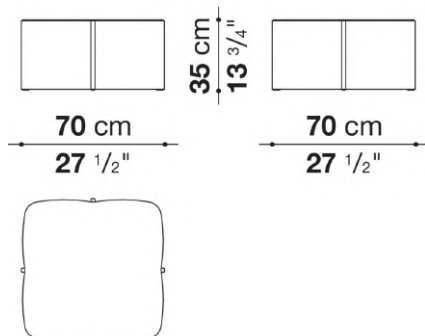
## TYT70Q\_A



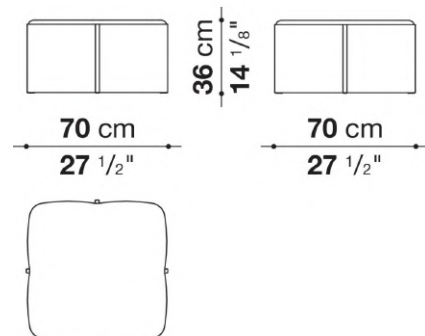
## TYT70Q\_AL

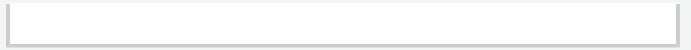
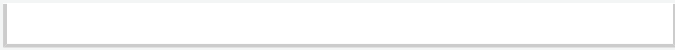


## TYT70Q\_B

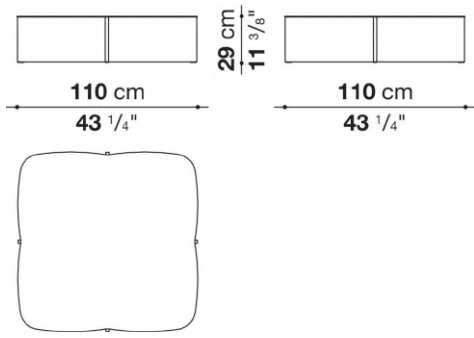


## TYT70Q\_BL





### TYT110Q



### TYT110QL

