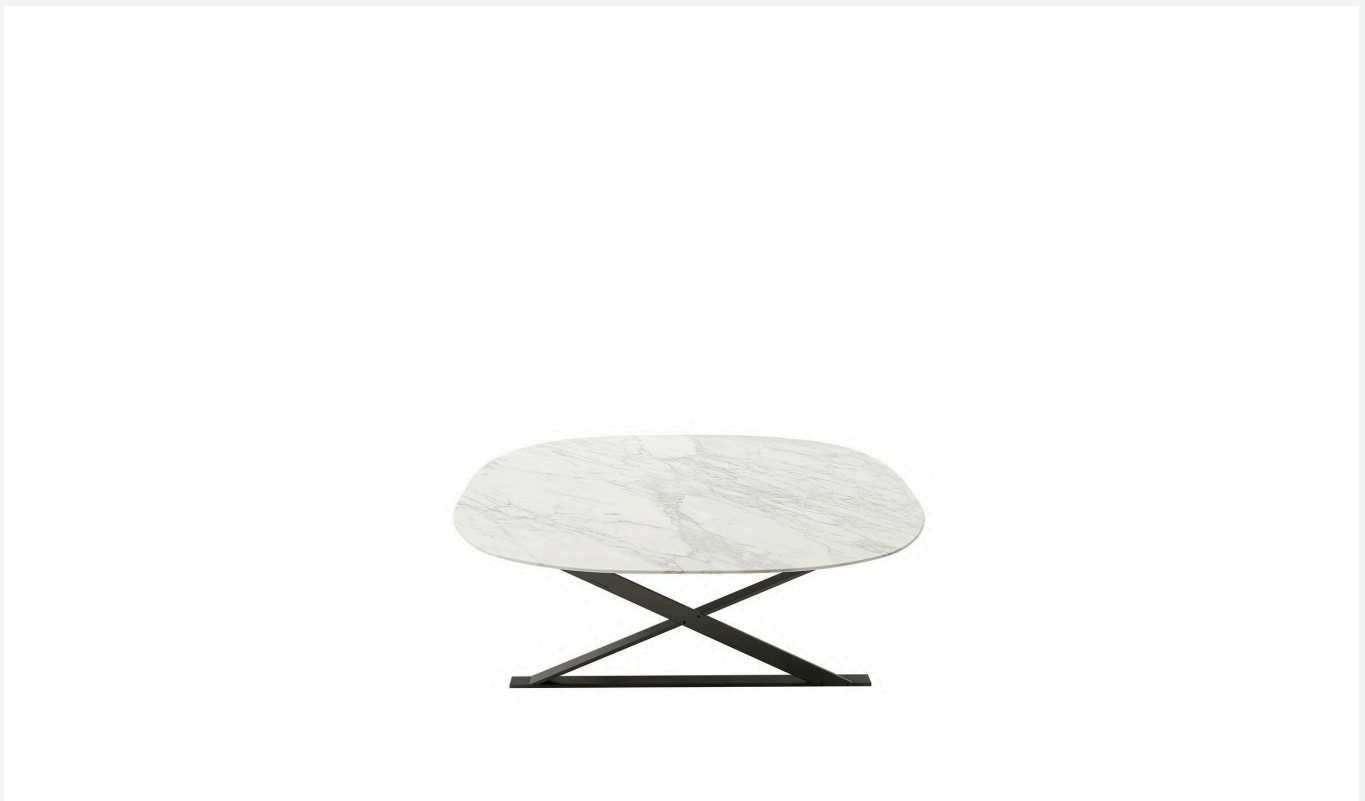


## Pathos

SMALL TABLES

2009

Antonio Citterio



## Description

---

Pathos is a complete collection of extremely elegant small tables available in two versions: a lower one with a characteristic X-shaped frame, available with square and rectangular tops with rounded corners and bevelled edges; and a second one, available in different heights, featuring round and oval tops that echo the refined detail of the edges. Both versions are available in a wide range of finishes.

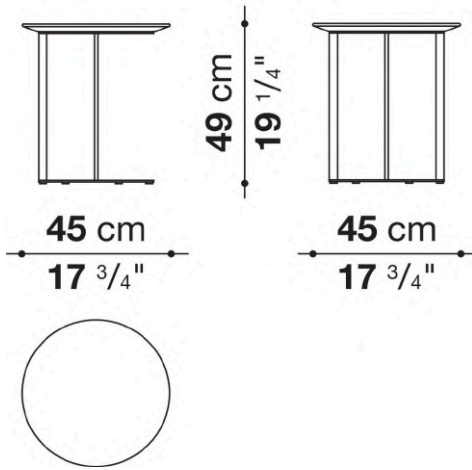
## Technical information

---

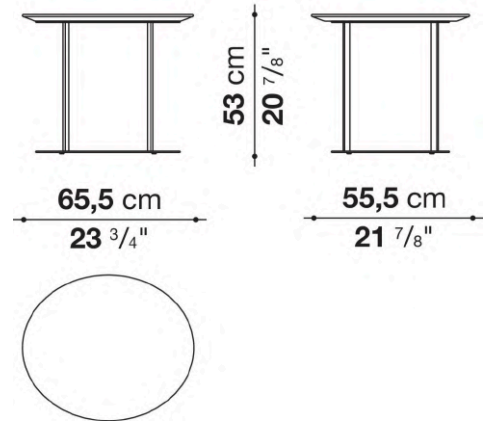
Top  
MDF wood fibre panel or marble (glossy polyester finish or matt polyester finish)  
Support frame  
drawn steel  
Ferrules  
plastic material

# Technical drawings

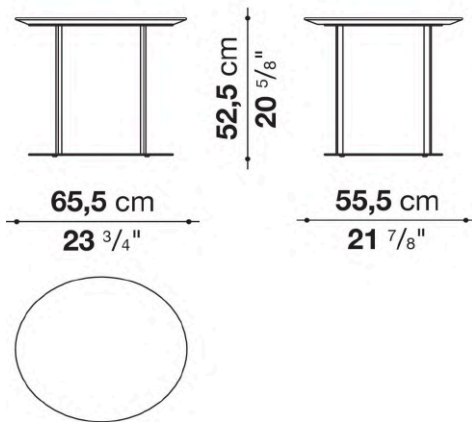
## SMT4L



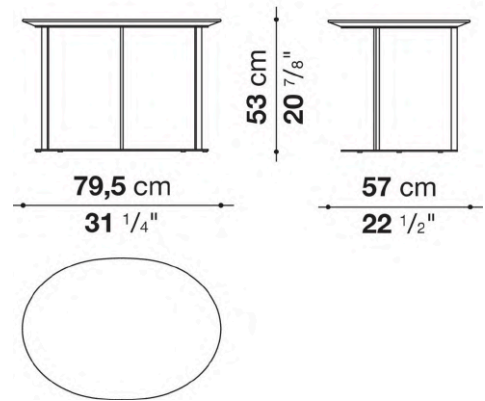
## SMT05L



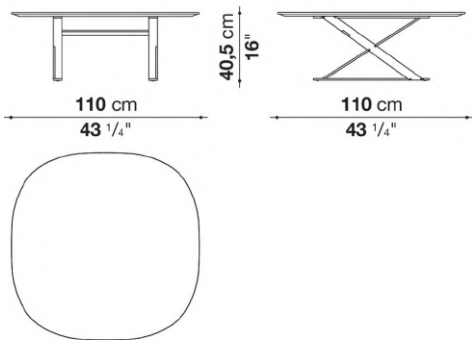
## SMT05P



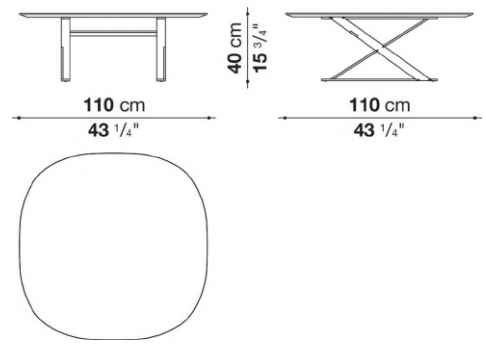
## SMT08L



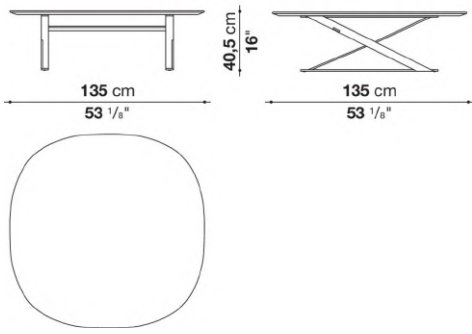
**SMTV11**



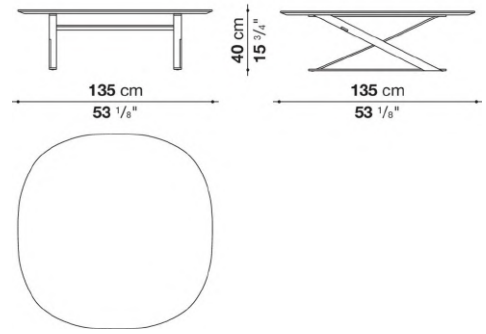
**SMTV11P**



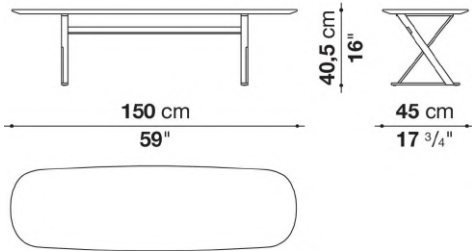
**SMTV14**



**SMTV14P**



**SMTB15**



**SMTB19**

