
Tufty-Time

SOFAS

2005

Patricia Urquiola



Description

The Tufty-Time sofa series, one of B&B Italia's most consolidated successes, finds effective answers to the themes of modularity, comfort and removable covers. The Tufty-Time modular system starts with an ottoman as the basic piece, which is then accompanied by central, corner and terminal elements with a low or high armrest. The elements are used to invent traditional sofas, sofas with chaise longue, corner sofas and island elements that provide a 360° seating solution. Cosy in its more accentuated depth, Tufty-Time becomes a meeting place, a welcoming refuge where people can just relax. With its fabric or leather upholstery, Tufty-Time offers a more contemporary take on the traditional Chesterfield and capitonné sofas, with a freer and more informal lifestyle.

Technical information

Internal frame

tubular steel and steel profiles

Internal frame upholstery

Bayfit® flexible cold shaped polyurethane foam, polyester fibre cover

Back cushion (T60_C)

down feather and polyester fibre, pillow style typology

Feet

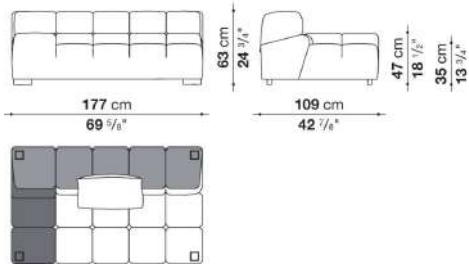
thermoplastic material

Cover

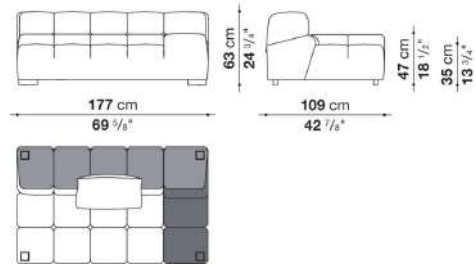
fabric or leather

Technical drawings

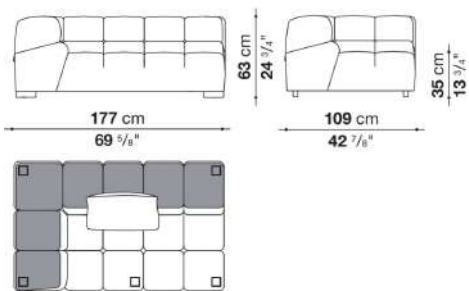
T177BS_3



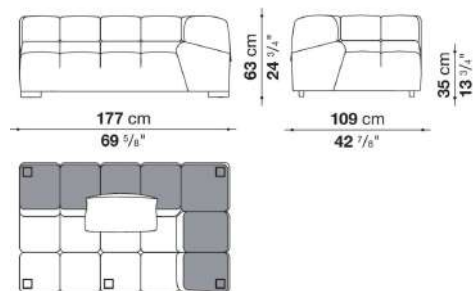
T177BD_3



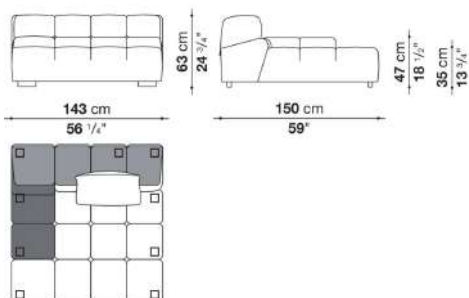
T177AS_3



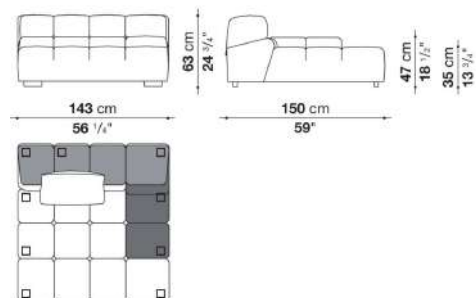
T177AD_3



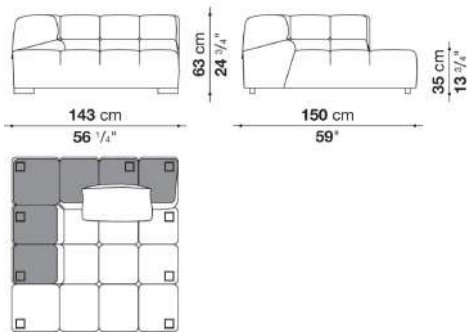
T143BS_4



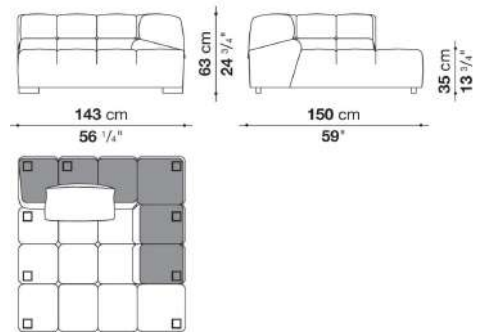
T143BD_4



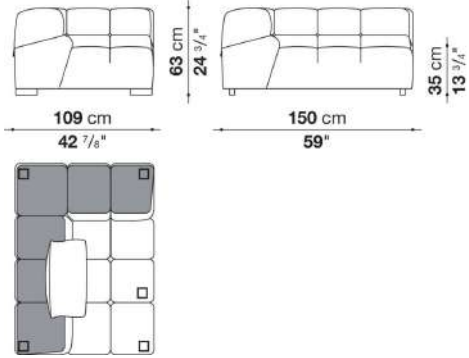
T143AS_4



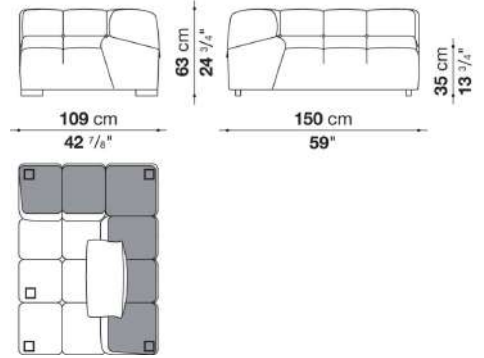
T143AD_4



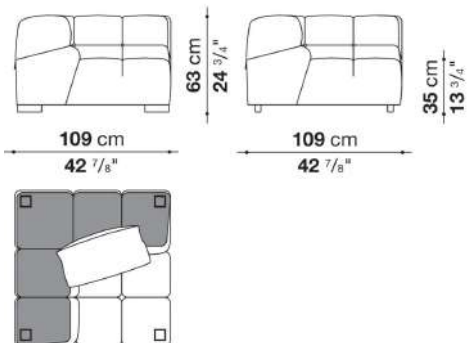
T109_4S



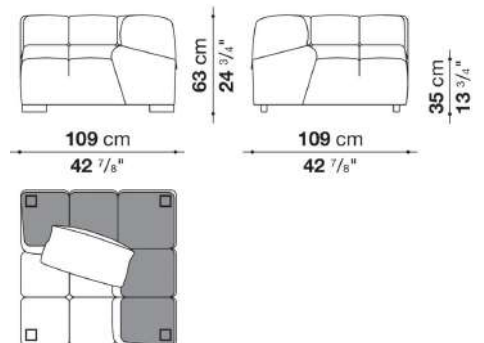
T109_4D



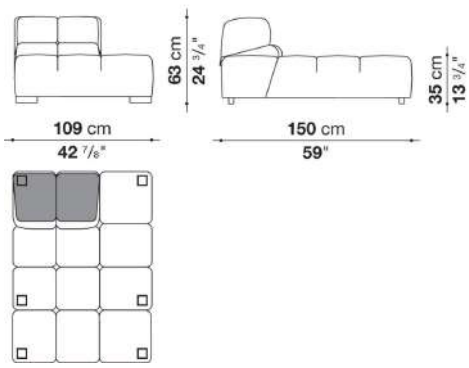
T109_3S



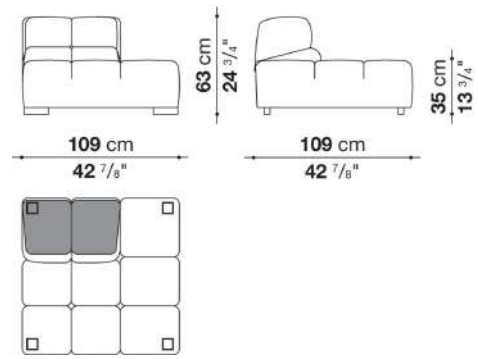
T109_3D



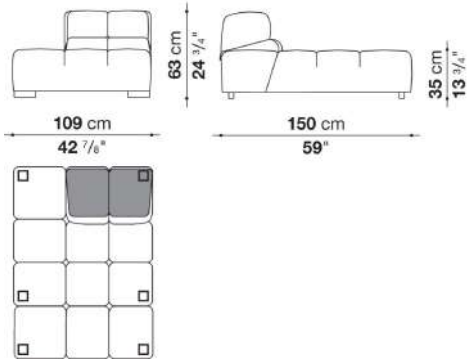
T109TPS_4



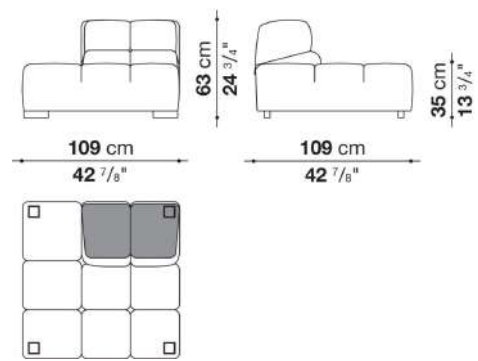
T109TPS_3



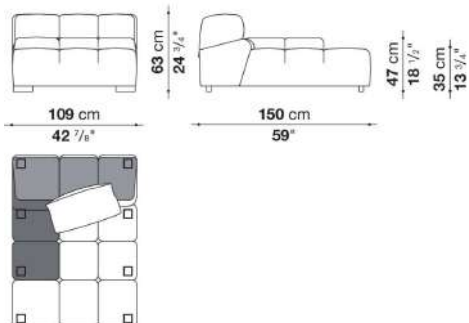
T109TPD_4



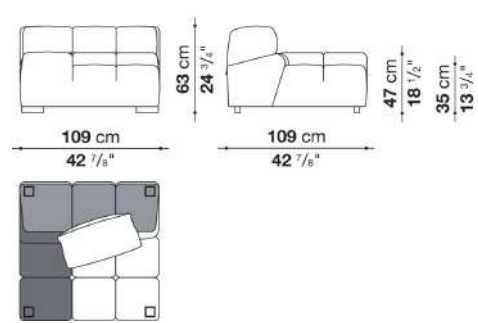
T109TPD_3



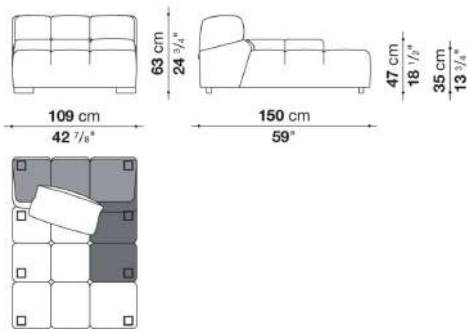
T109BS_4



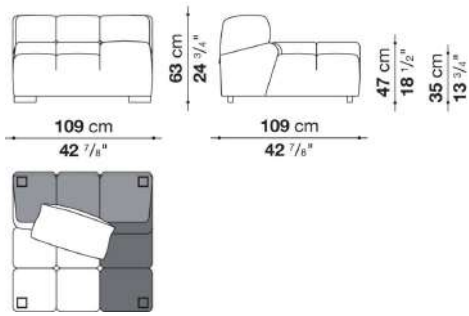
T109BS_3



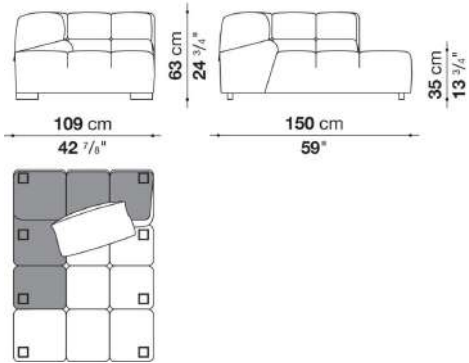
T109BD_4



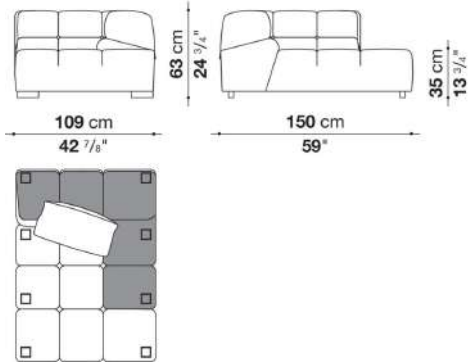
T109BD_3



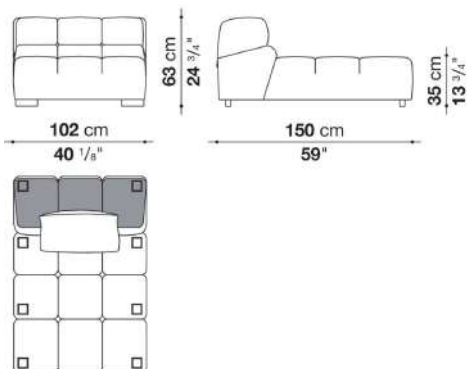
T109AS_4



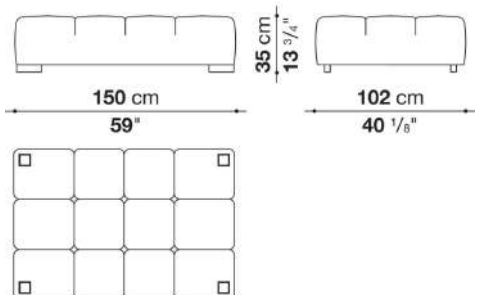
T109AD_4



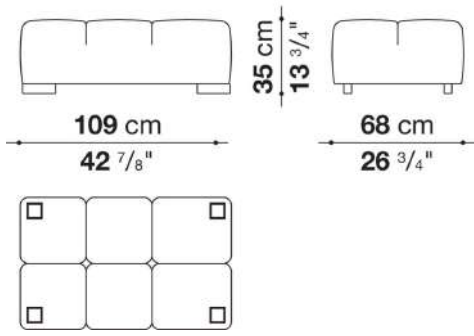
T102C_4



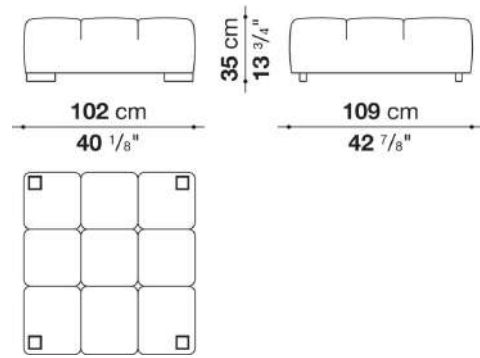
T150P_3



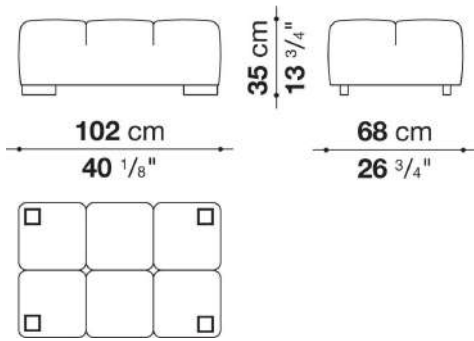
T109P_2



T102P_3



T102P_2



T102C_3

