

Soleide

SMALL TABLES

2024

Antonio Citterio



Description

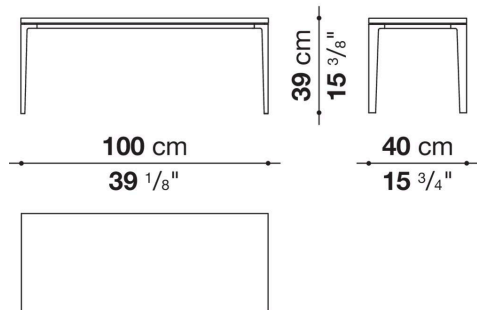
Soleide is a collection of small tables, in different sizes, with a die-cast aluminium base and a top in hammered mirror steel that gives them a particularly original and precious effect.

Technical information

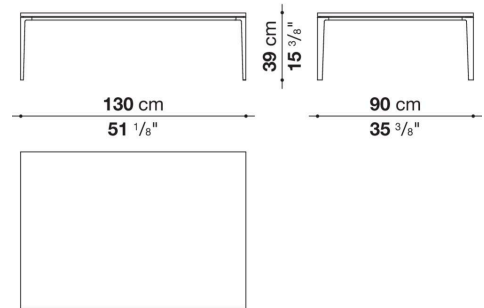
Top
stainless steel sheet on a MDF wood fibre support
Support frame
die-cast aluminium and extrusions with metal supports
Ferrules
plastic material

Technical drawings

TSL100_4



TSL130_9



TSL180_13

