

## Tesaurus

STORAGE UNITS

2019

Antonio Citterio



## Description

---

Tesaurus is a series of refined storage units. The shape underlines the high quality of the craftsmanship, starting with the curved wooden doors that open to reveal slightly protruding shelves, and a continuous profile that follows the volume's. Tesaurus is available in three different heights and widths, with two or four doors, with drawers and flap doors. The base is a die-cast aluminium structure borrowed from the Caratos chair design, while the element above is a top in black Marquinia, white Calacatta or Emperador marble. The interiors are made of refined maple fris . The veneered oak or Chilean Tineo wood is made with a staggered checker motif with crossed grains. Parchment covering is a long and meticulous process and needs to be laid by specialised craftsmen who are trained to respect the natural material's characteristics. Over the passage of time the parchment surface matures so that, like a good wine, it will be transformed and acquire new sophisticated hues. Thanks to the complex hand crafted processes inherent in the manufacturing processes, the value of Tesaurus is immediately obvious. Each piece in this collection becomes a unique object, difficult to imitate and authentically exclusive. The family of storage units provides, only for the 90 cm wide element a variant that inspired by traditional large travel trunks, it takes the original Maxalto logo of the 70s and uses it as a pattern, repeated across the entire surface and finished with a glossy polyester varnish. The result is an iconic and highly refined piece.

# Technical information

---

## Internal frame

veneered multi-layered wood panel, veneered MDF wood fibre panel

Flap door compartment internal frame (RU180A)

reflective material

## Upper top

marble (matt polyester finish)

## Drawer frame

veneered multi-layered wood panel

## Internal shelf

veneered MDF wood fibre panel

Flap door compartment shelf (RU180A)

toughened glass

## Handle

die-cast zama

## Base-frame

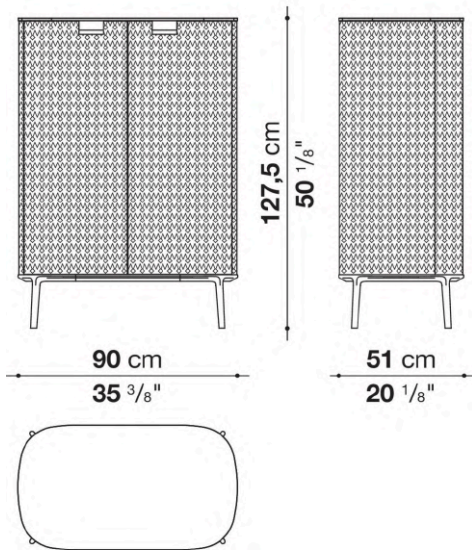
die-cast aluminium and extrusions

## Adjustable feet

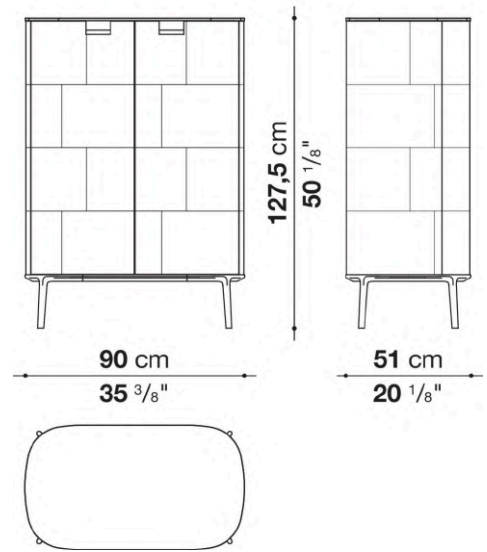
thermoplastic material

# Technical drawings

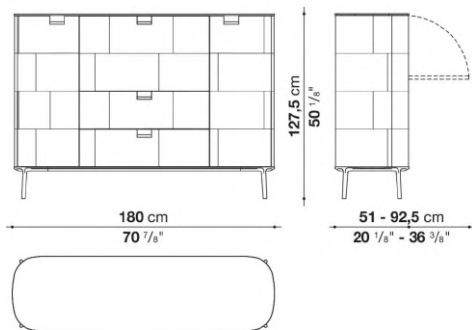
**RU90S**



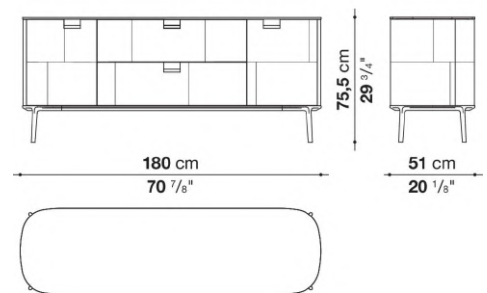
**RU90A**



**RU180A**



**RU180BC**



**RU180BA**

