



CAMPIELLO ANTONIO CITTERIO 2018

SOFAS

CAMPIELLO | ANTONIO CITTERIO | 2018

Frame in solid wood and metal with polyurethane foam padding, covered with a protective laminated fabric

Seat cushions in sterilized goose down (Assopiuma certified, gold label) with insert in high resilience crushproof material or in polyurethane foam and dacron

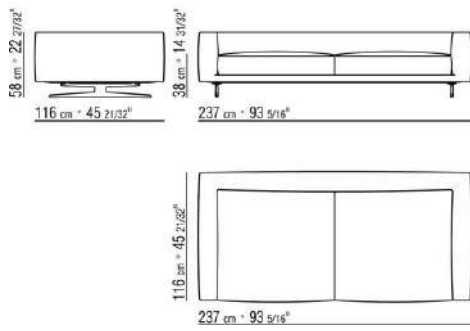
Backrest cushions in sterilized goose down (Assopiuma certified, gold label) available with or without support bolster with polyurethane foam padding. Optional

backrest cushions are upon request, with upcharge

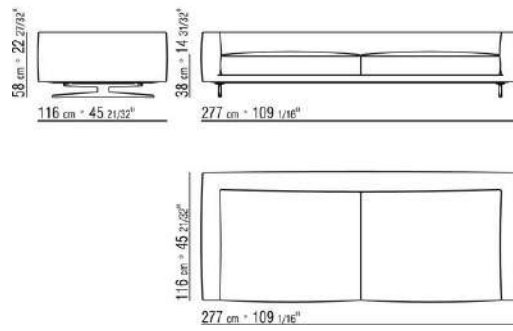
Feet in cast aluminum with bronze 820, satin, chrome, burnished, black chrome, glossy anthracite, matt titanium 710 finish. Rests on pads made of thermoplastic material

Upholstery is removable in both the fabric and leather versions

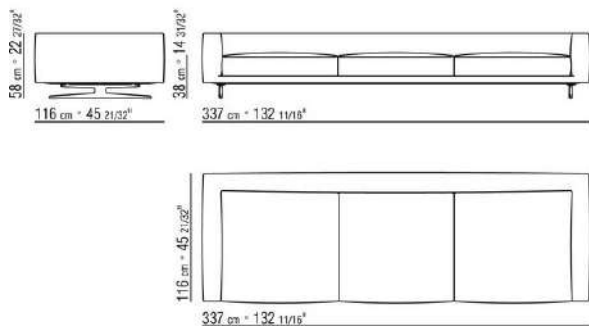
COD. 024503



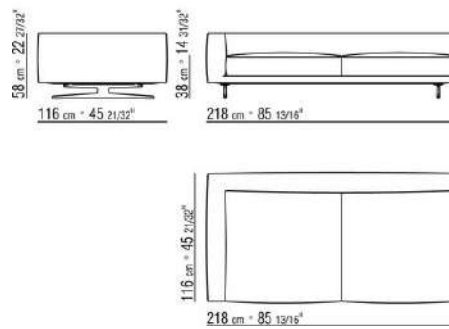
COD. 024504



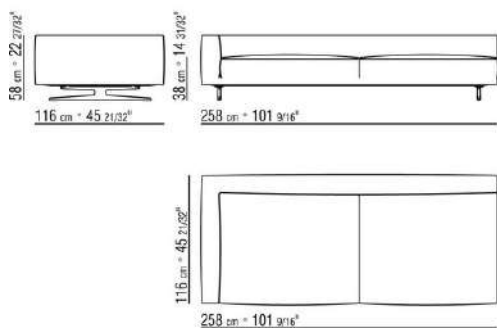
COD. 024505



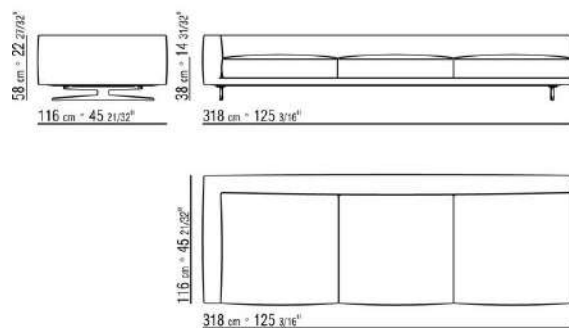
COD. 024515



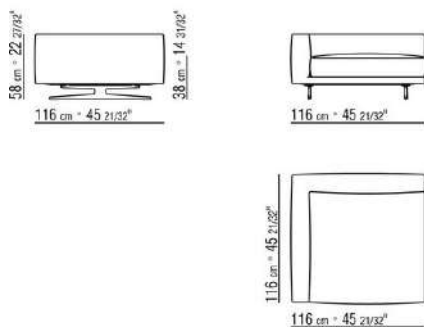
COD. 024517



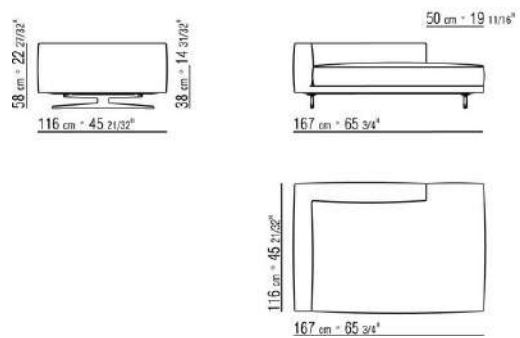
COD. 024519



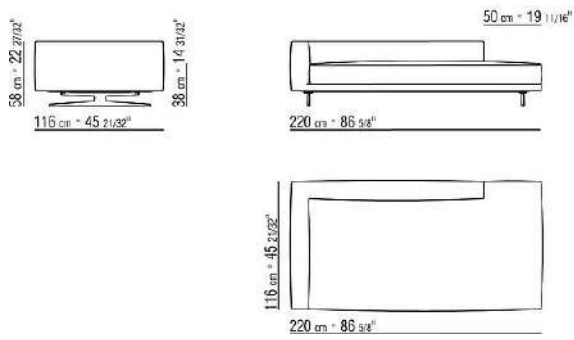
COD. 024521



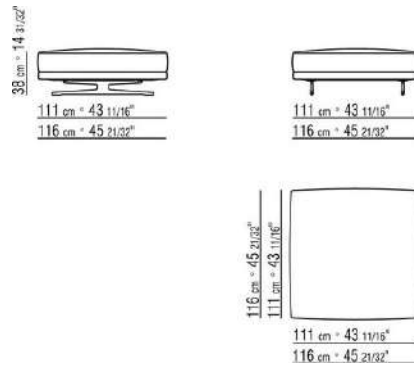
COD. 024531



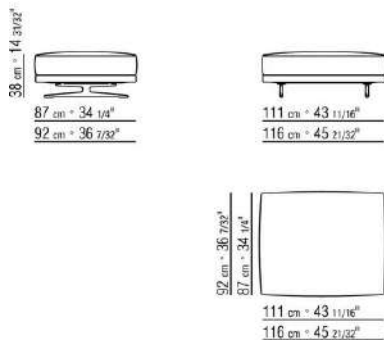
COD. 024533



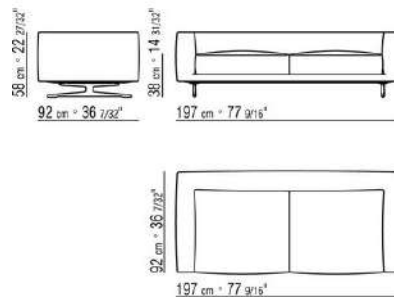
COD. 024550



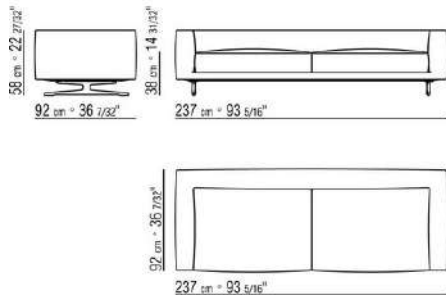
COD. 024551



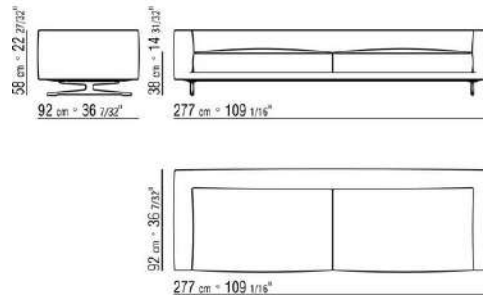
COD. 0245A2



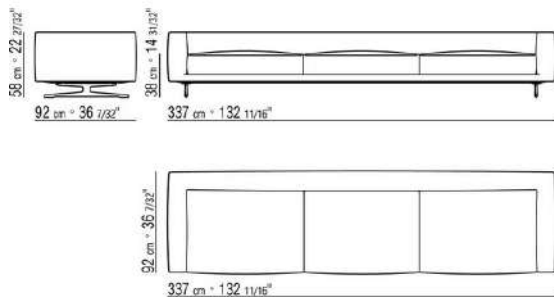
COD. 0245A3



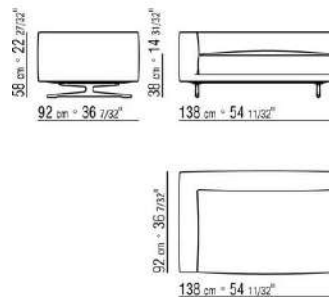
COD. 0245A4



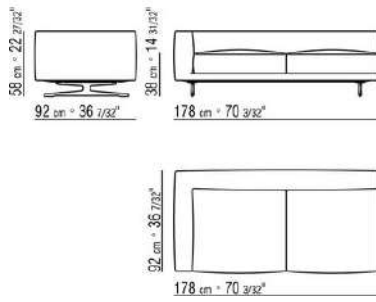
COD. 0245A5



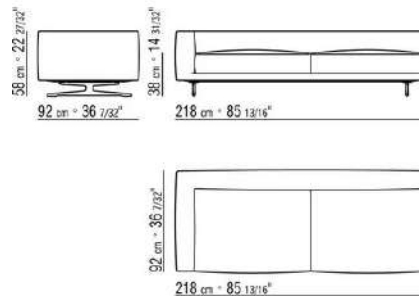
COD. 0245B1



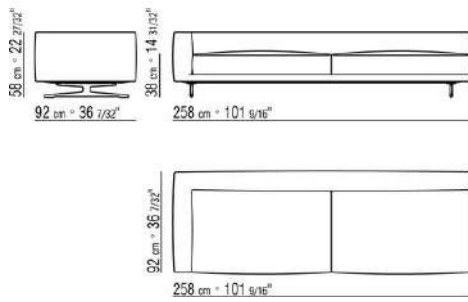
COD. 0245B3



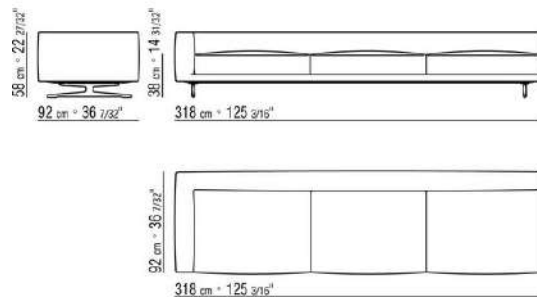
COD. 0245B5



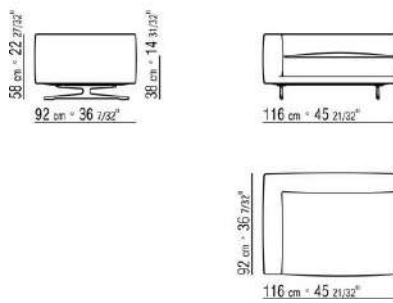
COD. 0245B7



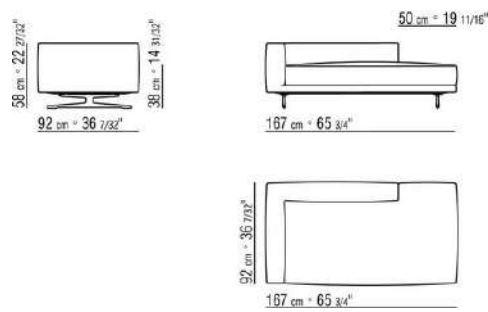
COD. 0245B9



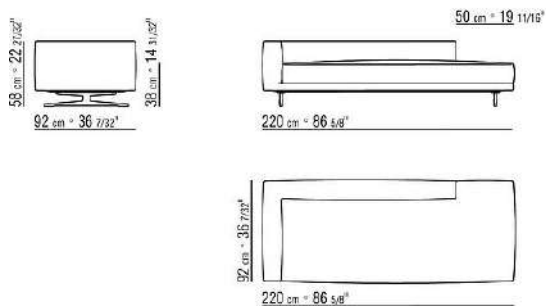
COD. 0245C1



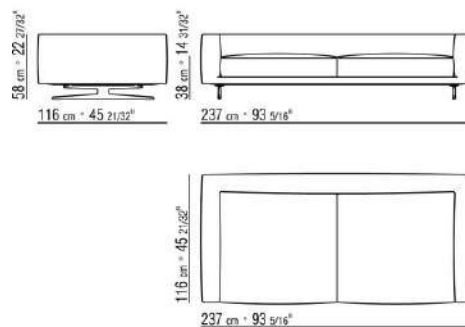
COD. 0245C5



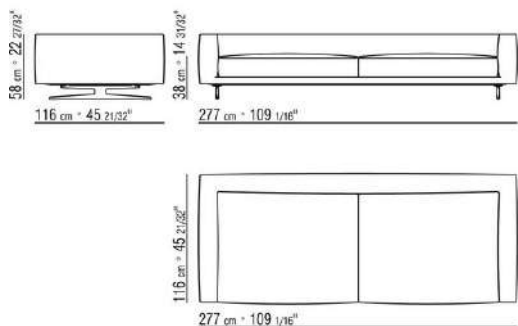
COD. 0245C7



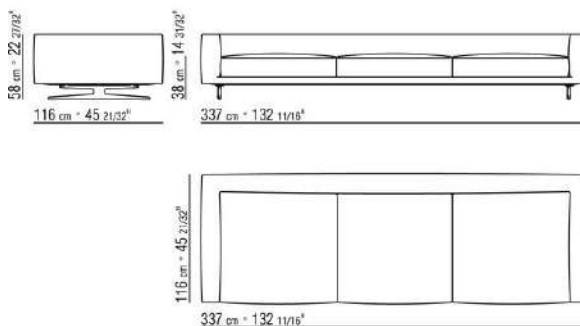
COD. 0245D3



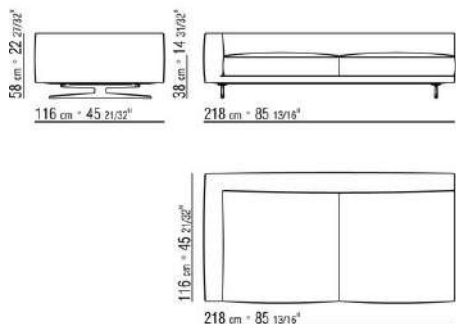
COD. 0245D4



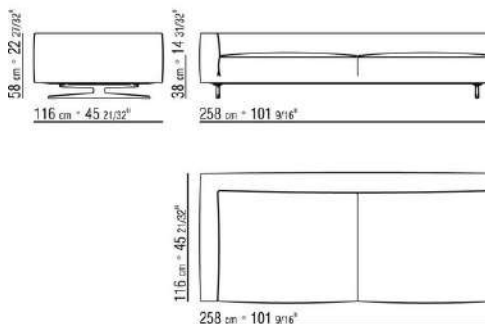
COD. 0245D5



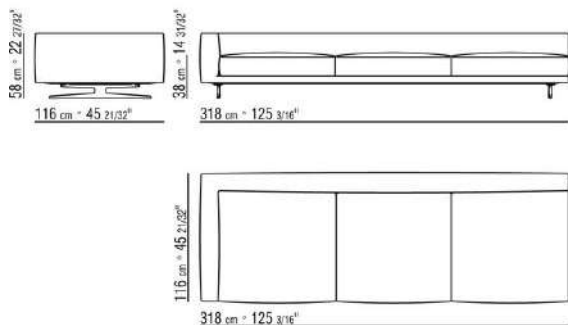
COD. 0245E5



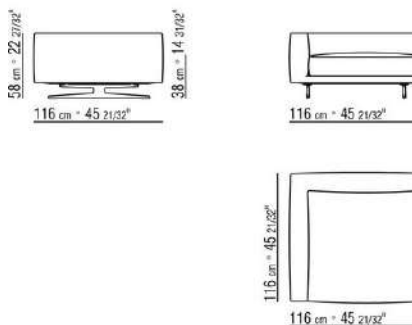
COD. 0245E7



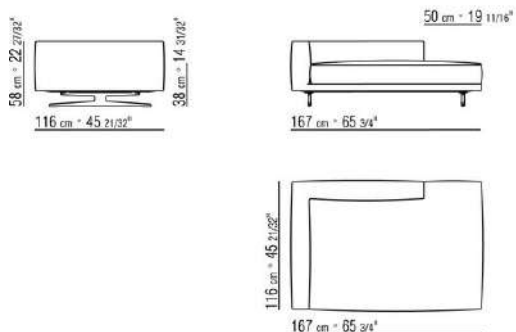
COD. 0245E9



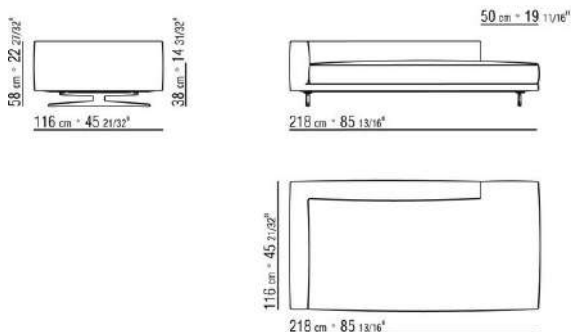
COD. 0245F1



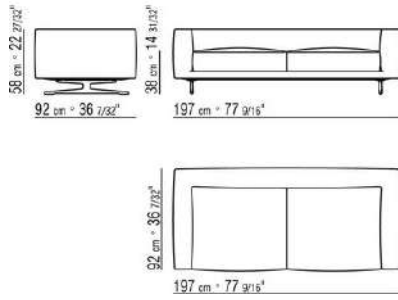
COD. 0245G1



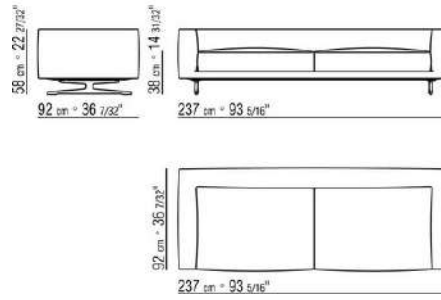
COD. 0245G3



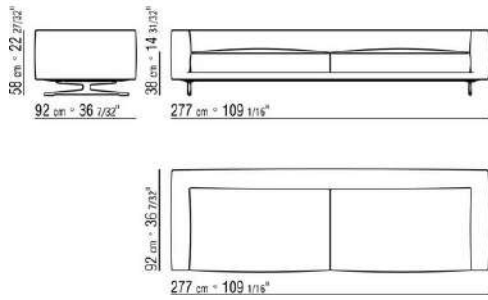
COD. 0245H2



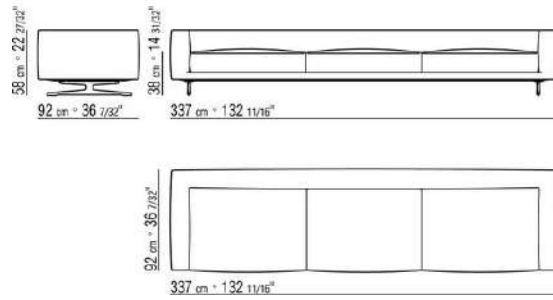
COD. 0245H3



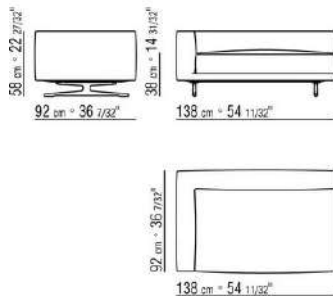
COD. 0245H4



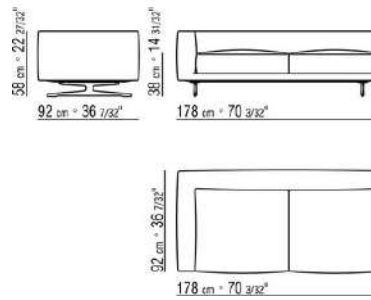
COD. 0245H5



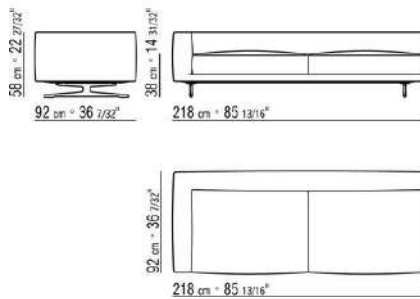
COD. 0245K1



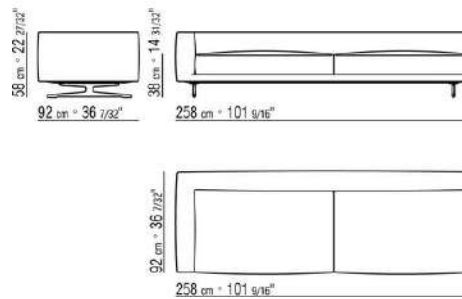
COD. 0245K3



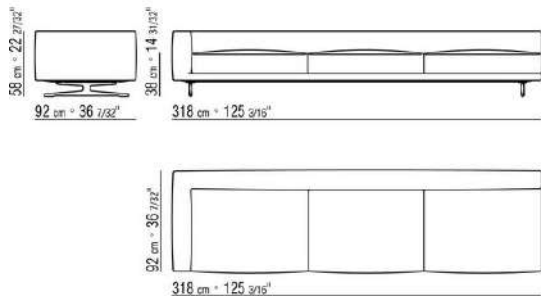
COD. 0245K5



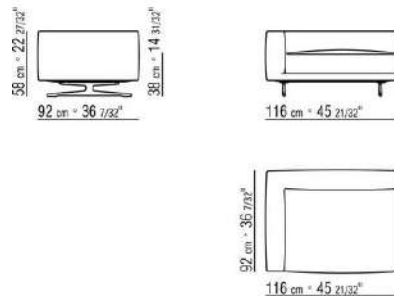
COD. 0245K7



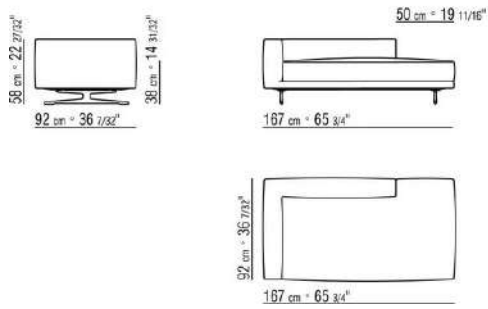
COD. 0245K9



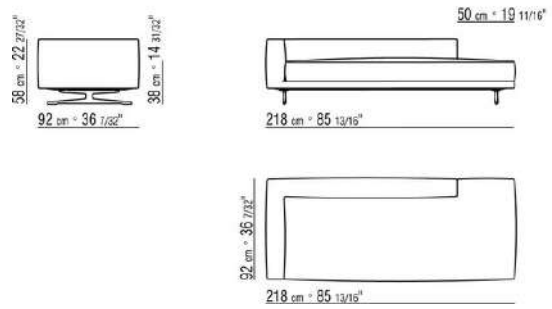
COD. 0245M1



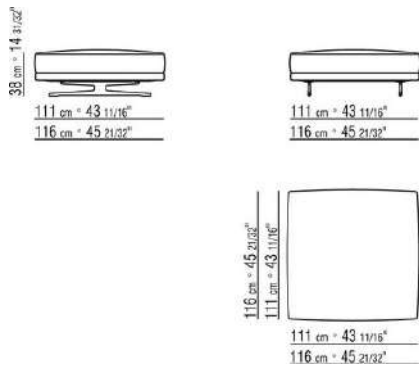
COD. 0245M5



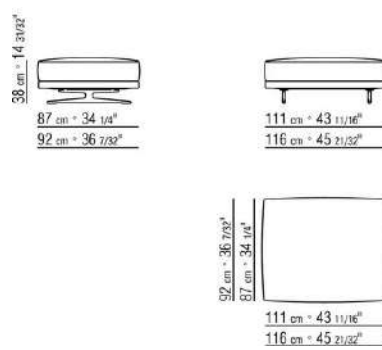
COD. 0245M7



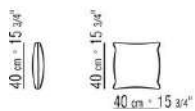
COD. 0245L0



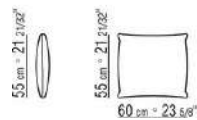
COD. 0245L1



COD. 024593

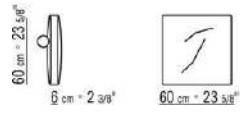
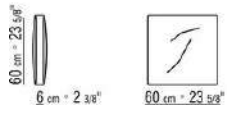


COD. 024592



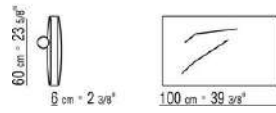
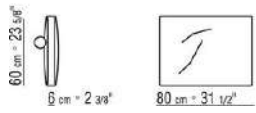
COD. 024597

COD. 024594

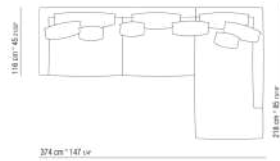


COD. 024595

COD. 024596

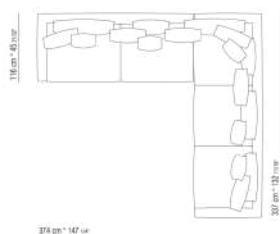


0245XA



- N.2 COD.024597 - CUSHION CM.60 x60
- N.1 COD.024517 - END UNIT L CM.258 x116
- N.1 COD.024533 - LONG CORNER L CM.220 x116
- N.2 COD.024595 - CUSHION WITH ROLL CM.80 x60
- N.1 COD.024596 - CUSHION WITH ROLL CM.100 x60
- N.3 COD.024593 - CUSHION CM.40 x40
- N.1 COD.024592 - CUSHION CM.60 x55

0245XB



- N.1 COD.024517 - END UNIT L CM.258 x116
- N.1 COD.024505 - SOFA CM.337 x116
- N.3 COD.024597 - CUSHION CM.60 x60
- N.2 COD.024594 - CUSHION WITH ROLL CM.60 x60
- N.2 COD.024596 - CUSHION WITH ROLL CM.100 x60
- N.5 COD.024593 - CUSHION CM.40 x40
- N.3 COD.024592 - CUSHION CM.60 x55

-
- N.1 COD.024505 - SOFA CM.337 x116
 - N.3 COD.024595 - CUSHION WITH ROLL CM.80 x60
 - N.2 COD.024597 - CUSHION CM.60 x60
 - N.1 COD.024592 - CUSHION CM.60 x55
-