

## Filemone

BEDS

2000

Antonio Citterio



## Description

---

The different variants available give life to a practical and very elegant bed. The feet in addition to the steel variants can be covered in solid wood. The version with wheels is also available. The Filemone bed can be combined with all the headboard included in the collection.

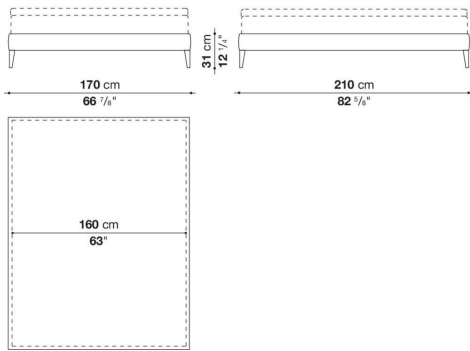
## Technical information

---

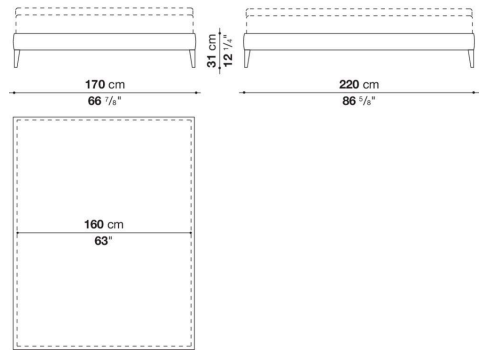
Internal frame  
tubular steel and steel profiles  
Internal frame upholstery  
Bayfit® flexible cold shaped polyurethane foam, polyester fibre cover  
Feet  
steel sheet or solid wood  
Wheels support frame  
steel  
Wheels  
plastic material  
Ferrules  
thermoplastic material  
Cover  
fabric or leather

# Technical drawings

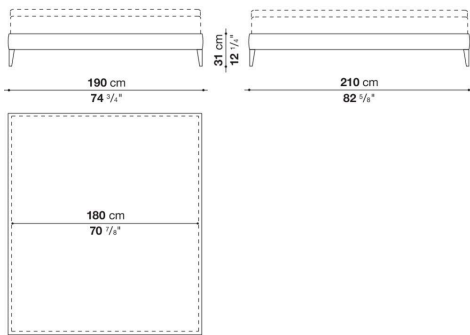
9846\_2



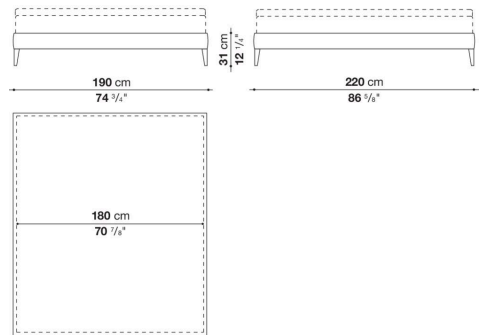
2209846\_2



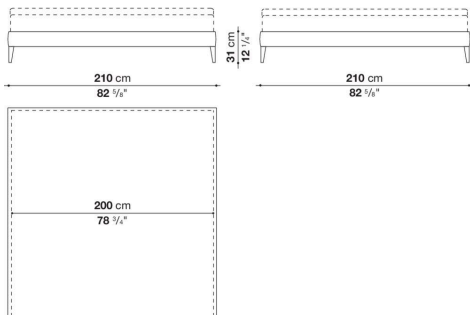
9846\_4



2209846\_4



9846\_5



2209846\_5

