

Caratos

OTTOMAN

2018

Antonio Citterio



Description

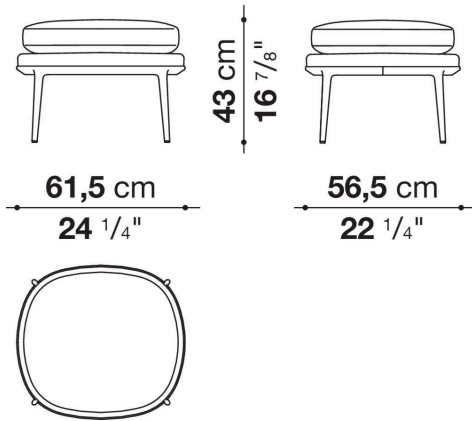
The Caratos ottomans are versatile furnishings that adapt to a vast range of furnishing styles and contexts. They stand out for their openly contemporary nature and for the detail on the base, which recurs throughout the entire Caratos collection: an iconic frame with slender die-cast aluminium legs available in a range of finishes. The ottomans are available with or without the seat cushion and upholstered either in fabric or in leather.

Technical information

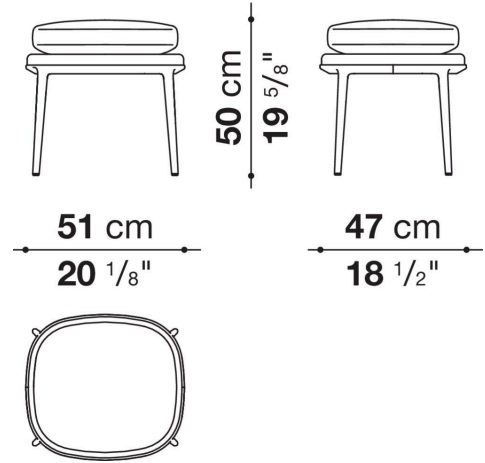
Internal frame
tubular steel and steel profiles
Internal frame upholstery
Bayfit® flexible cold shaped polyurethane foam, polyester fibre cover
Shell
polypropylene
Support frame
melting in aluminium alloy
Ferrules
plastic material
Cover
fabric or leather

Technical drawings

PCA62



PCA51B



CA43P

