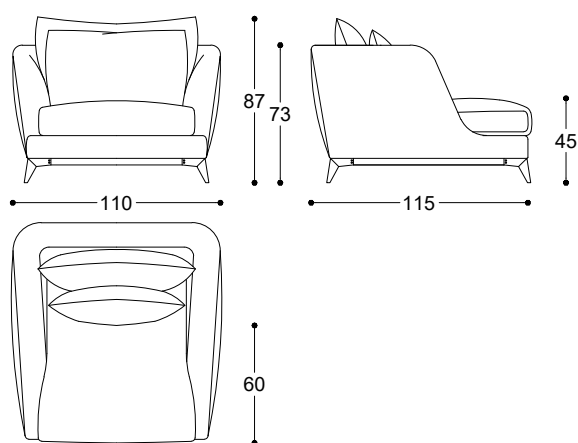


Pier Luigi Frighetto, 2014

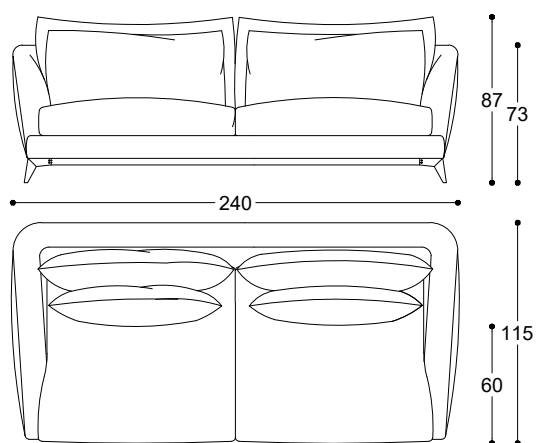


Sofa with structure in fir and poplar wood, with elastic belt spring system. Padding in high-density expanded polyurethane, upholstery in thermo-bonded fibre with stretch jersey. Seat cushions in 100% European channelled goose feather, 10% down, closed in independent rooms, filling with central insert high-resilience polyurethane foam in different densities and memory foam. Back cushions in 100% European channelled goose feather, 10% down, closed in independent rooms. Fully removable fabric covers, only the cushions for the leather version. Base in metal, dark bronze matt finishing.

Divano con struttura in legno di pioppo, con molleggio a nastri elastici intrecciati. Imbottitura struttura in poliuretano espanso ad alta densità, rivestito in fibra termolegata accoppiata a maglia elastica. Cuscini seduta in 100% piuma d'oca di provenienza europea, 10% piumino, chiusi in camere indipendenti l'una dall'altra con inserto di poliuretano espanso a quote differenziate ad alta densità e memory foam. Cuscini schienale completamente in 100% piuma d'oca, di provenienza europea, 10% piumino, chiusi in camere indipendenti l'una dall'altra. Completamente sfoderabile in tessuto, in pelle solo i cuscini. Base in metallo finitura bronzo scuro opaco.

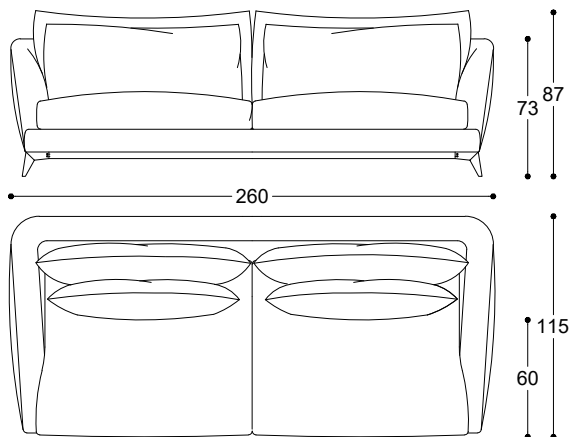


Article: Armchair
Code: BRA10

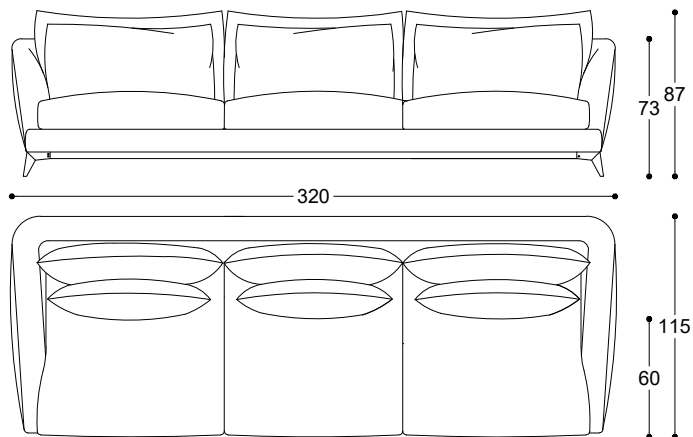


Article: Sofa 240
Code: BRA24

Pier Luigi Frighetto, 2014



Article: Sofa 260
Code: BRA26



Article: Sofa 320
Code: BRA32