

Caratos

CHAIRS

2019

Antonio Citterio



Description

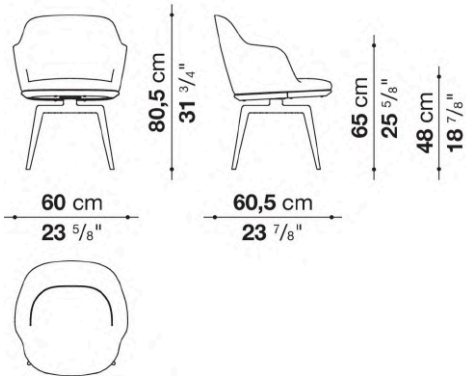
Caratos is a collection of upholstered chairs market by great formal elegance. Available in different versions, with fabric or leather upholstery, they have in common the recognizable die-cast aluminum structure. A sophisticated proposal, designed for both domestic and contract use.

Technical information

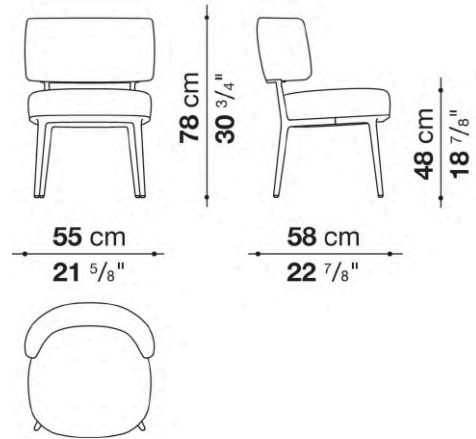
Internal frame
tubular steel and steel profiles
Internal frame upholstery
Bayfit® flexible cold shaped polyurethane foam, polyester fibre cover
Shell
polypropylene
Back section (CAR55-CAR65)
moulded hard polyurethane with metal pins
Support frame
melting in aluminium alloy
Support frame (CA60A-CA60B)
die-cast magnesium
Ferrules
plastic material
Cover
fabric or leather
Cover (CA47N)
leather

Technical drawings

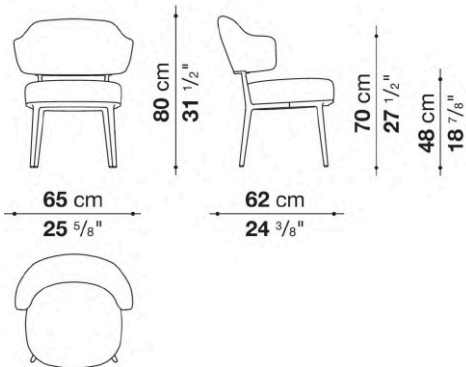
CRT60G



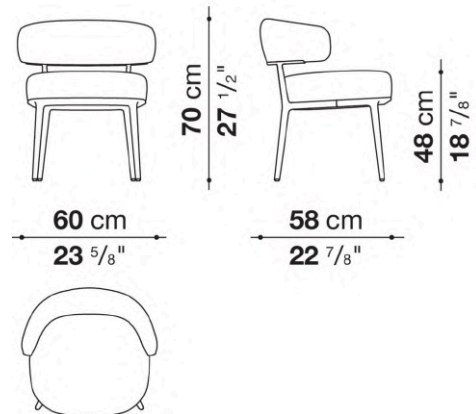
CAR55



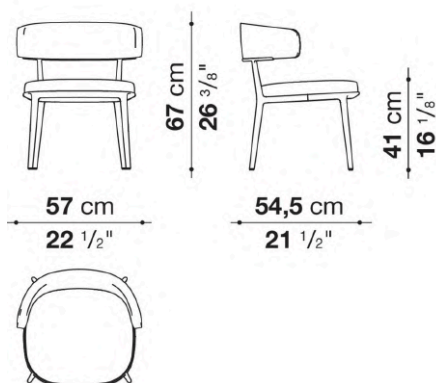
CAR65



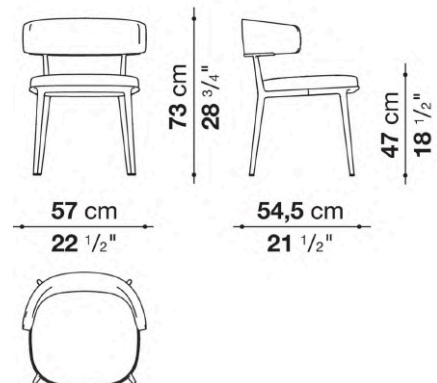
SCA57B_SA

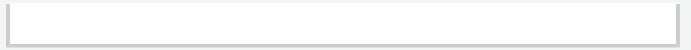
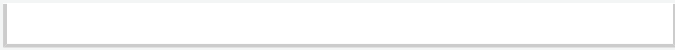


SCA57B

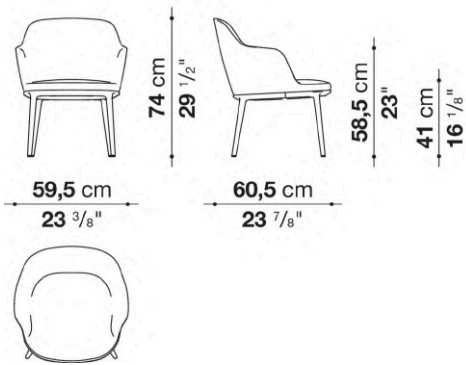


SCA57A

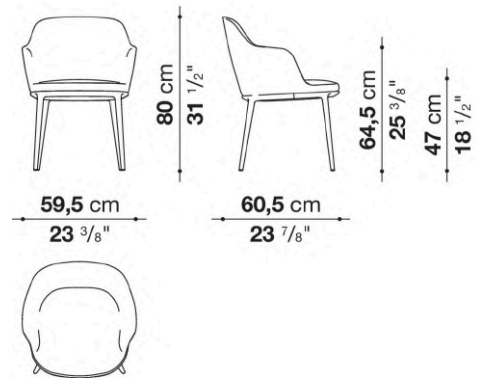




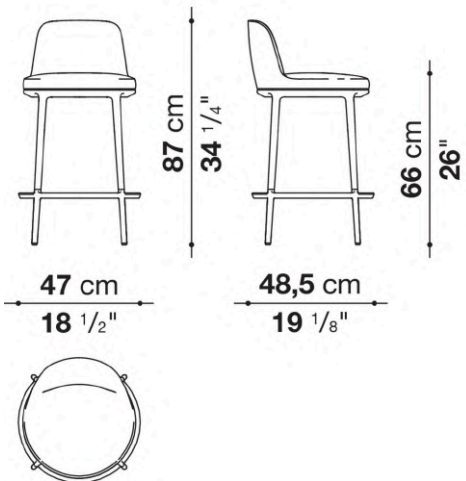
CA60B



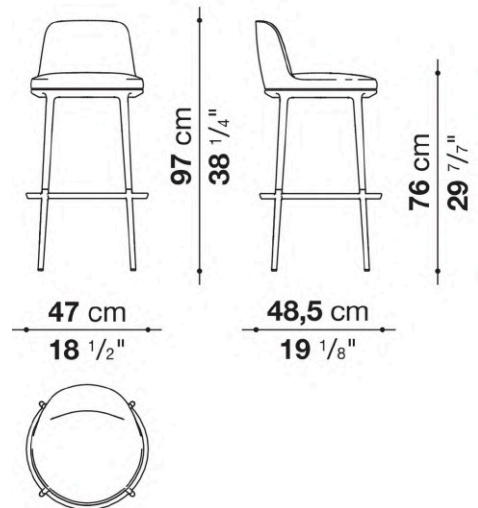
CA60A



CA87ST



CA97ST



CA47N

