

## Pathos

TABLES

2011

Antonio Citterio



## Description

---

The Pathos table is available with round, rectangular or square top, with rounded corners and refined details on the curved edges and can be in marble or in MDF wood fibre painted in the glossy colours. The support frame with X-shaped legs is in steel available in various finishes.

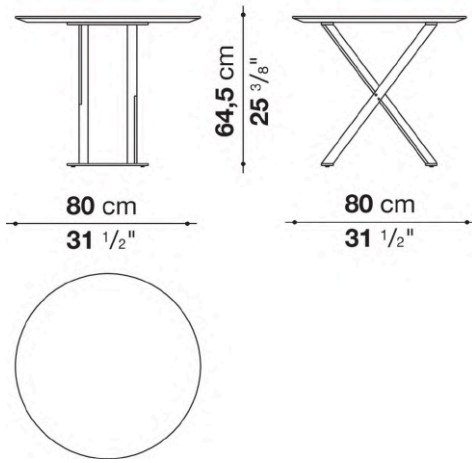
## Technical information

---

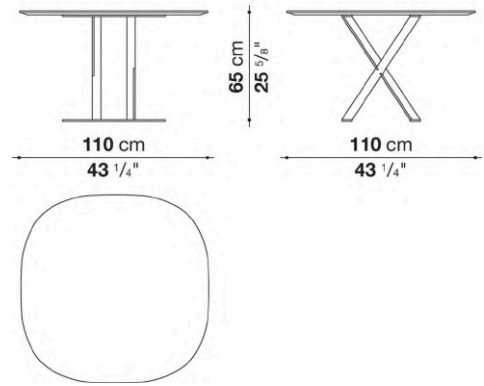
Top  
MDF wood fibre panel or marble (glossy polyester finish or matt polyester finish)  
Support frame  
drawn steel  
Ferrules  
plastic material

# Technical drawings

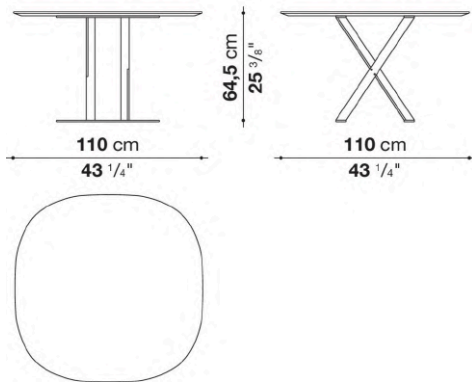
**SMT8P**



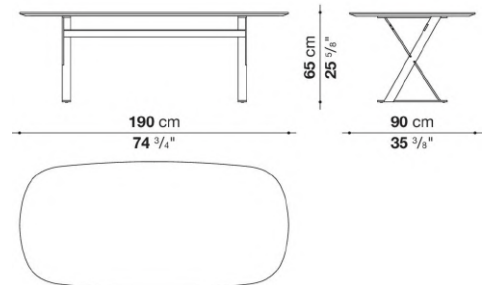
**SMT11L**



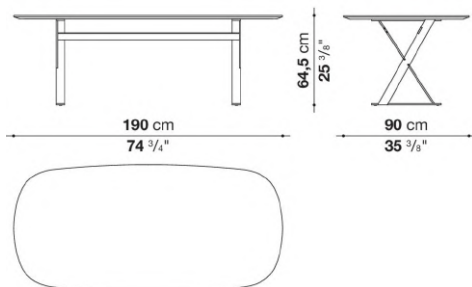
**SMT11P**



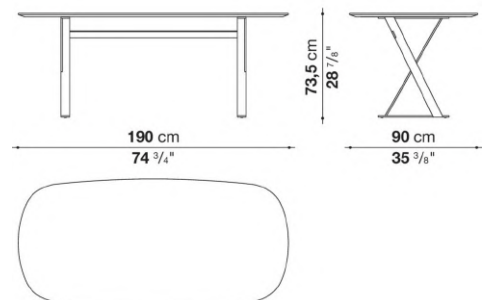
**TPA190**



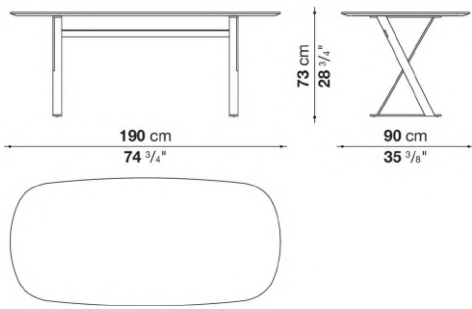
**TPA190P**



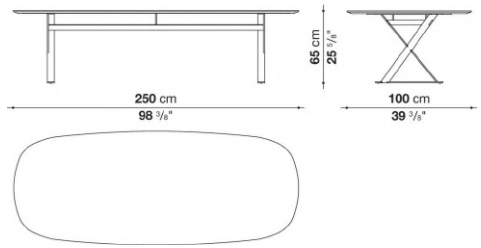
**SMTE19**



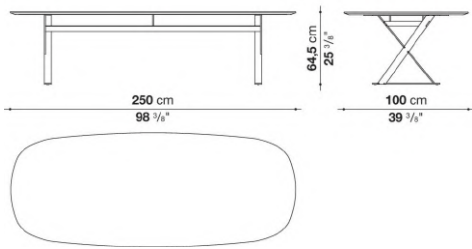
**SMTE19P**



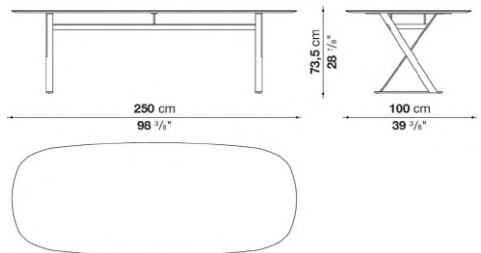
**TPA250**



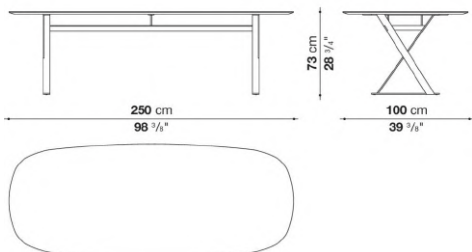
**TPA250P**



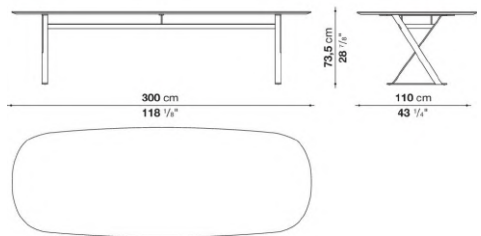
**SMTE25**



**SMTE25P**



**SMTE30**



SMTE30P

