



LE CANAPÈ *DESIGN CENTER 1987*

SOFAS

LE CANAPÈ | *DESIGN CENTER* | 1987

Frame in wood with polyurethane and dacron padding covered with a protective fabric lining

Seat cushions spring with polyurethane and dacron padding

Backrest cushions with polyurethane and dacron padding

Bolster armrests in sterilized goose down (Assopiuma certified, gold label)

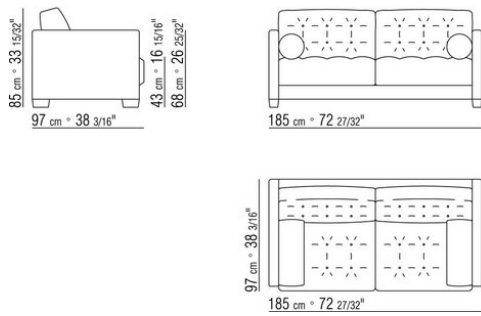
Feet rectangular feet in wood canaletto walnut with raw-wood effect, natural,

stained walnut extra finish; ashwood natural, stained teak, stained ebony, stained wenge, stained walnut, stained brown; oakwood with raw-wood effect finish

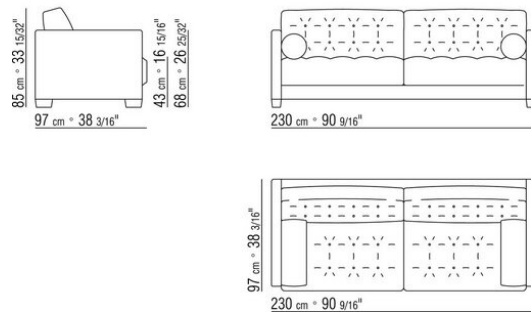
Upholstery removable in the fabric version; non-removable in the leather version

Piping with fabric covers comes in gros grain, available in all the colors on the sample board. With leather covers the piping comes always in the same leather

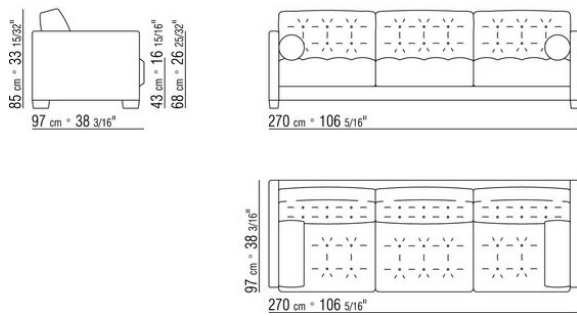
COD. 010502



COD. 010503



COD. 010504



COD. 010550

