

Allure O' Dot

SMALL TABLES

2024

Monica Armani



Description

The coffee tables Allure O' Dot are characterized by versatility and functionality, ideal as furnishing complements, or service elements. They boast a fresh, dynamic, and trendy design, characterized by the iconic shape of the tops and bases, which echo the distinctive design of the Allure O' tables, the refinement of materials, colours and the play of transparencies. The bases in rigid lacquered polyurethane and the tops in smoky or transparent glass, both with central serigraphy, are the elements that give life to a transversal product, capable of adapting to multiple functions and uses. The result of Monica Armani's vision, combining taste, elegance and modernity in a single proposal, Allure O' Dot is available in three colours.

Technical information

Top and base-frame (TAD53Q_4)

hard polyurethane

Base-frame (TAD53Q_4)

metal

Fixing element (TAD53Q_4)

steel

Ferrules (TAD53Q_4)

felt

Top

tempered glass with steel plate

Base-frame

hard polyurethane

Support frame

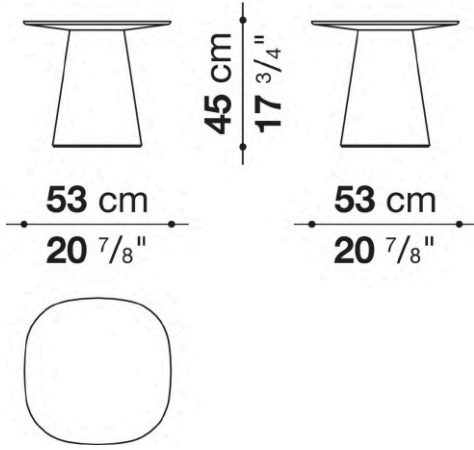
metal

Ferrules

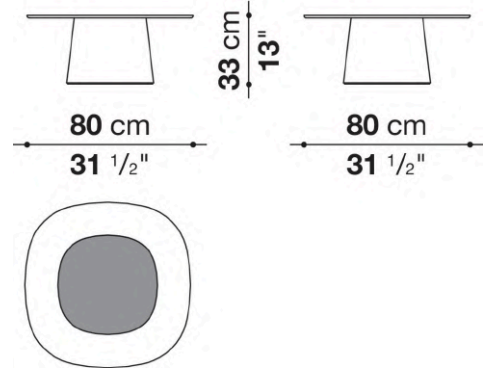
thermoplastic material

Technical drawings

TAD53Q_4



TAD80Q_3L



TAD100Q_3L

