

m o o o i

Luminora Light

CRISTINA CELESTINO



Inspired by the grandeur of Murano glass and mathematical elegance of the golden ratio, Luminora Light merges craftsmanship with modernity. Its floating design embodies simplicity and complexity, creating a luminous sculpture where the structure is light itself. The V-shaped diamond optical pattern and transparent LED tubes produce a mesmerising effect.

Detailing



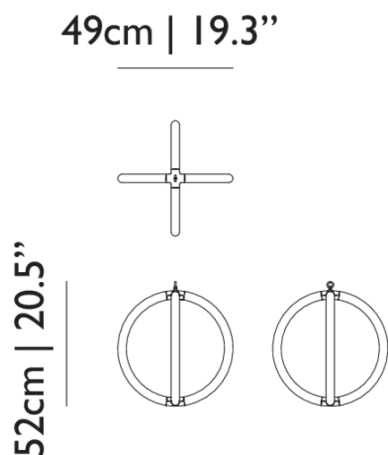
The sculptural light is timeless, adaptable, and inviting for any style, in any space – modern or classic, homes or hospitality.

Colours

Luminora Light

Luminora Light / 45

Dimensions



Product

WIDTH 49cm | 19.3"
HEIGHT 52cm | 20.5"
DEPTH 49cm | 19.3"
WEIGHT NETTO 2.1kg | 4.63lbs

Packaging

WIDTH 49.2cm | 19.4"
HEIGHT 68.5cm | 27"
CUBAGE 0.17m³ | 5.86ft³
LENGTH 49.2cm | 19.4"
WEIGHT 10kg | 22.05lbs

Technical CE / UL

MATERIAL

360° LED lighting in faceted polycarbonate tubes with painted aluminum brackets

LIGHTSOURCE TYPE

LED

LIGHTSOURCE INCLUDED

Yes

NUMBER OF LIGHTSOURCES

4

INPUT VOLTAGE

120-250V

FREQUENCY

50/60

MAX POWER CONSUMPTION

30W

LAMPHOLDER

LED (Solid state)

LIFETIME

50000 hours

CABLE COLOUR

Transparent with tinned cores

CABLE LENGTH

250cm | 98.4"

CANOPY

Pebble III in matching color

CHROM X

0.4461

CHROM Y

0.3994

COLOUR TEMPERATURE

2810 K (max)

CRI

95

LIGHT DIRECTION

All directions

LIGHT OUTPUT

1760 lm

R9

76.5

DIMMING & LIGHTING CONTROL

DALI dt6, 0-10V, Wireless Wall Switch (dimmer), Push / Pulse dim on Line Voltage, Smart Home Integration (Zigbee), Mains / ELV dimming is not possible, Smart Home Integration (Matter)

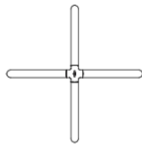
See last page for more information about the dimming possibilities.



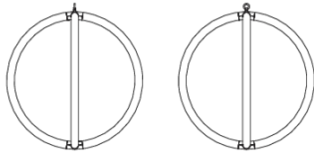
Luminora Light / 63

Dimensions

63cm | 24.8"



68cm | 26.8"



Product

WIDTH 63cm | 24.8"
HEIGHT 68cm | 26.8"
DEPTH 63cm | 24.8"
WEIGHT NETTO 2.5kg | 5.51lbs

Packaging

WIDTH 59.9cm | 23.6"
HEIGHT 83.5cm | 32.9"
CUBAGE 0.3m³ | 10.58ft³
LENGTH 59.9cm | 23.6"
WEIGHT 12kg | 26.46lbs

Technical CE / UL

MATERIAL

360° LED lighting in faceted polycarbonate tubes with painted aluminum brackets

LIGHTSOURCE TYPE

LED

LIGHTSOURCE INCLUDED

Yes

NUMBER OF LIGHTSOURCES

4

INPUT VOLTAGE

120-250V

FREQUENCY

50/60

MAX POWER CONSUMPTION

40W

LAMPHOLDER

LED (Solid state)

LIFETIME

50000 hours

CABLE COLOUR

Transparent with tinned cores

CABLE LENGTH

250cm | 98.4"

CANOPY

Pebble III in matching color

CHROM X

0.4473

CHROM Y

0.399

COLOUR TEMPERATURE

2790 K (max)

CRI

95

LIGHT DIRECTION

All directions

LIGHT OUTPUT

2790 lm

R9

76.7

DIMMING & LIGHTING CONTROL

Wireless Wall Switch (dimmer), DALI dt6, 0-10V, Push / Pulse dim on Line Voltage, Smart Home Integration (Zigbee), Mains / ELV dimming is not possible, Smart Home Integration (Matter)

See last page for more information about the dimming possibilities.



Dimming & Lighting Control

DALI dt6

The luminaire is dimmable by integrating it into a DALI network. This is an universal and professional standard in home automation systems with endless control possibilities and ease. We advise to hire a professional to integrate the luminaire into your DALI network.

Compatible models: 45 CCC, 45 CE, 45 UL, 63 CCC, 63 CE, 63 UL

0-10V

The luminaire is dimmable by using an either internally mounted or externally placed 0-10V dimmer switch. 0-10V is a dimming system widely used in some parts of the world, for example in North-America. This method will need its own wiring. Dimming quality is perfect, without flicker, the range can be limited and the luminaire can be dimmed to off. Please note that this is only possible using a 0-10V compatible driver. Contact us for more information.

Compatible models: 45 CCC, 45 CE, 45 UL, 63 CCC, 63 CE, 63 UL

Wireless Wall Switch (dimmer)

With our Wireless Wall Switch, you'll have full control over your Moooi lighting design with one touch. Our Wireless Wall Switch comprises two components, a wall switch and radio device to put in the canopy of your Moooi lighting design. The Wall Switch can also be integrated in existing System 55 (i.e. Gira and Jung) or Decora style wall switches. Once the radio device is installed you will also have the possibility to control your light fixture with the Casambi App available in the Google Play and Apple app store. Within moments you can enjoy full and fluent dimming, all the way to dark.

Compatible models: 45 CCC, 45 CE, 45 UL, 63 CCC, 63 CE, 63 UL

Push / Pulse dim on Line Voltage

The luminaire is dimmable by using an external momentary switch or pushbutton switch. The switch is usually mounted on an existing wall socket. In some cases a Phase or Control wire needs to be added to your home's wiring. The switch should be suitable for use with line voltage and of the type 'normal off - momentary on'. The luminaire dims perfectly when the switch makes and holds contact. A short press switches between on and off.

Compatible models: 45 CCC, 45 CE, 45 UL, 63 CCC, 63 CE, 63 UL

Smart Home Integration (Zigbee)

By adding a Zigbee converter this light fixture can seamlessly integrate into a Zigbee 3.0-based smart home network, such as Philips Hue, Amazon Alexa, Google Home, Ikea Tradfri and Homey. This integration allows for wireless control and compatibility with other smart home systems, without the need to change your home's wiring. To enable this, simply add a Zigbee converter to your luminaire. We recommend the Sunricher Zigbee to Dali Converter for its reliability and compatibility with the US 110 voltage or the Osram 4062172044776 Zigbee 3.0 DALI Converter LI for 210-220V Please note that this converter is sold by third-party vendors and not directly by Moooi and this should be installed by a professional electrician.

Compatible models: 45 CCC, 45 CE, 45 UL, 63 CCC, 63 CE, 63 UL

Mains / ELV dimming is not possible

Mains and/or ELV dimming is not possible. The wireless wall switch is advised for dimming in this case.

Compatible models: 45 CCC, 45 CE, 45 UL, 63 CCC, 63 CE, 63 UL

Smart Home Integration (Matter)

Using the Matter Dali Bridge / Converter this Light can seamlessly integrate in your Matter Smart Home system like Apple Home, Google Home, Home Assistant, Amazon Alexa, Samsung SmartThings and Homey. We recommend the M2D Bridge Converter for its reliability and compatibility. Please note that this converter is sold by third-party vendors and not directly by Moooi and this should be installed by a professional electrician.

Compatible models: 45 CCC, 45 CE, 45 UL, 63 CCC, 63 CE, 63 UL
