

# Michel

SOFAS

2012

Antonio Citterio



## Description

---

Designed for those who love comfort and timeless modernity, the Michel seating system mirrors the design philosophy of its author, who shows a preference for simple shapes – pure and elegant in their linear form, without any additional decoration to underscore the concept of function. Its several elements create both formal and relaxed, in-line and modular configurations in an extensive range of sizes. A distinctive features is the aluminium frame, available in various finishes.

## Technical information

---

**Back and armrest internal frame**

tubular steel and steel profiles

**Back and armrest internal frame upholstery**

Bayfit® flexible cold shaped polyurethane foam, polyester fibre, polyester fibre cover

**Seat internal frame**

tubular steel and steel profiles, multi-layered wood panel, shaped polyurethane

**Seat cushion upholstery**

shaped polyurethane of different density, sterilized down, polyester fibre cover

**Back cushion (M60C-M50)**

down feather and polyurethane section, box style typology

**Back cushion with roller (M60CP-M50P)**

down feather, polyurethane section and polyester fibre, box style and roller typology

**Support (FA-FB)**

visco-elastic polyurethane, polyester fibre cover

**Support frame**

die-cast aluminium and extrusions

**Ferrules**

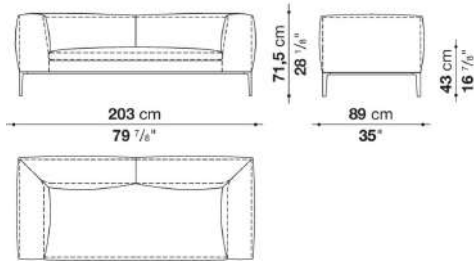
thermoplastic material

**Cover**

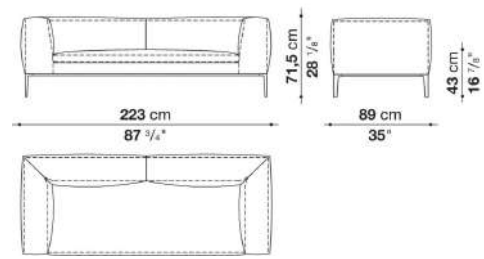
fabric or leather

# Technical drawings

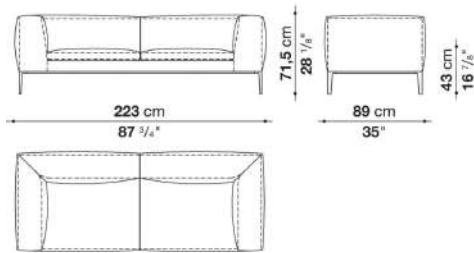
9M206



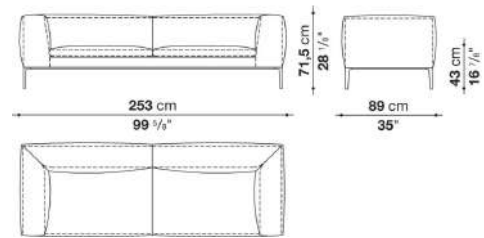
9M226\_1



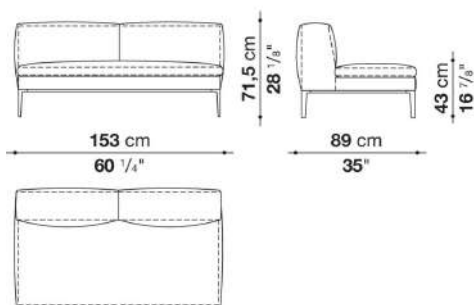
9M226\_2



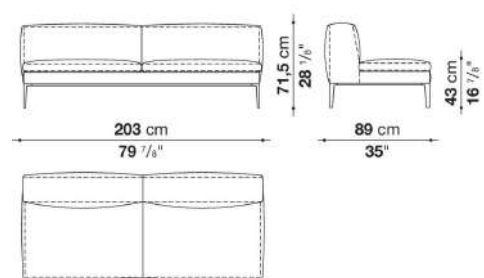
9M256



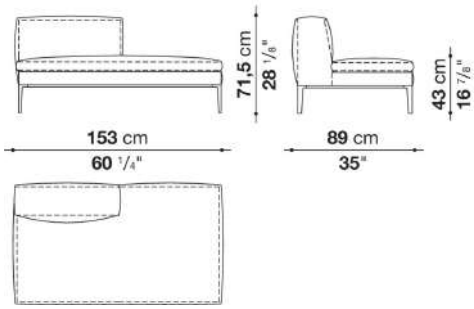
9M156P2



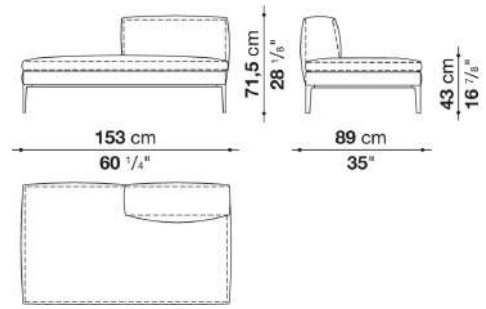
9M206P2



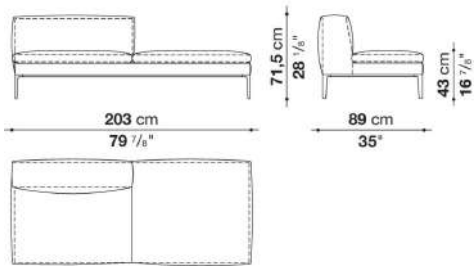
**9M156PS**



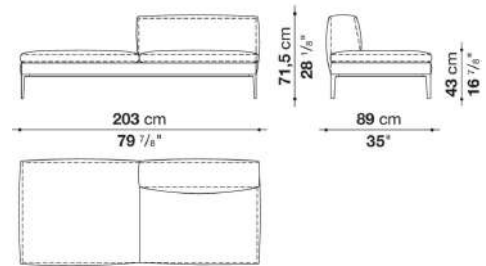
**9M156PD**



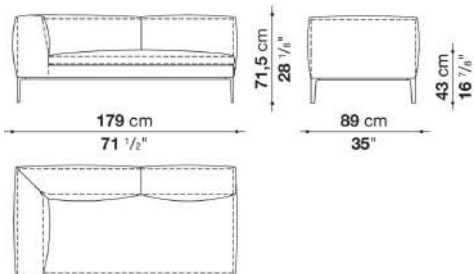
**9M206PS**



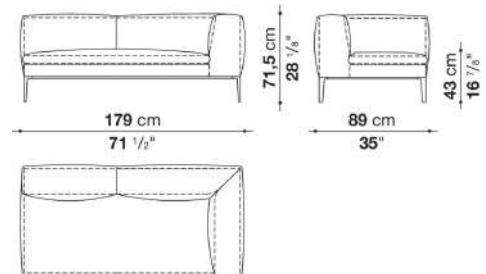
**9M206PD**



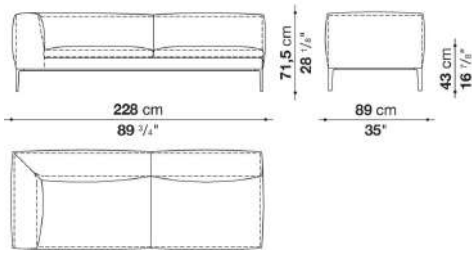
**9M182TS**



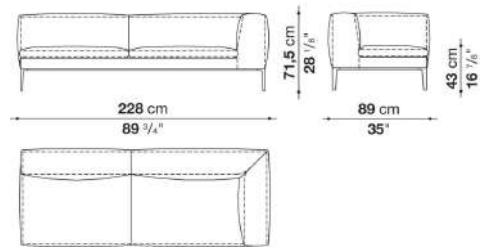
**9M182TD**



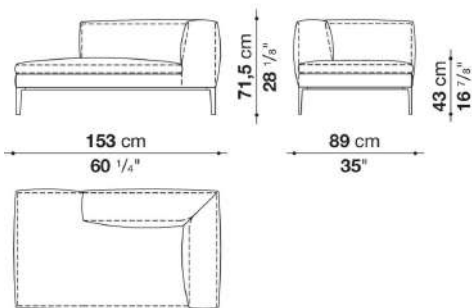
9M231TS



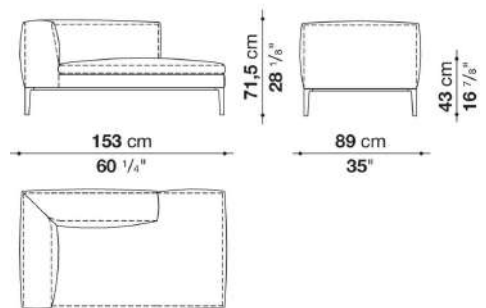
9M231TD



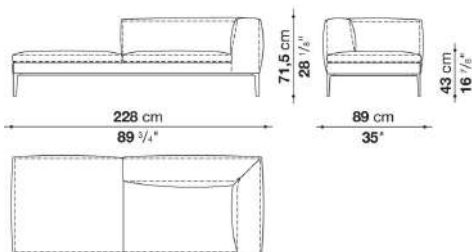
9M156CHS



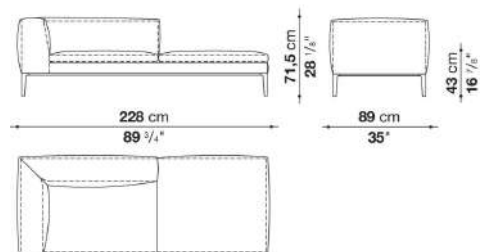
9M156CHD



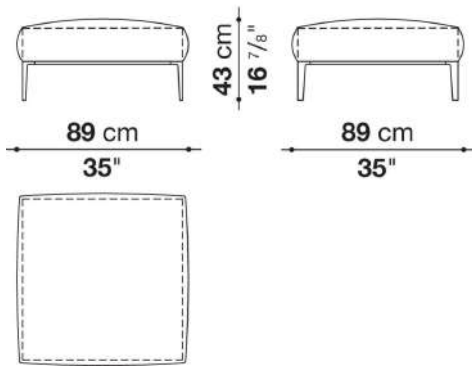
9M231CHS



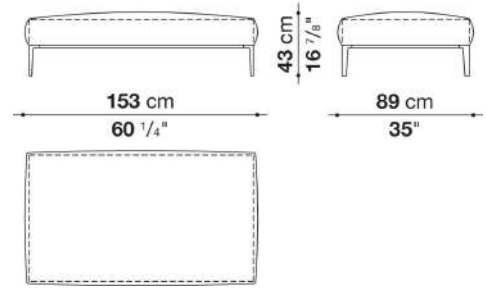
9M231CHD



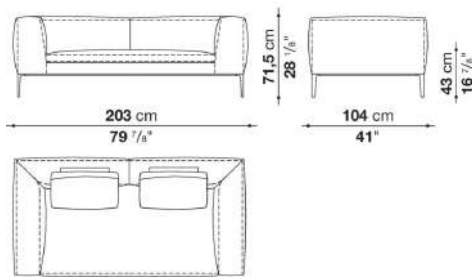
### 9M91PQ



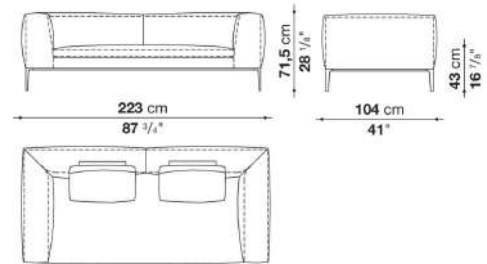
### 9M156P



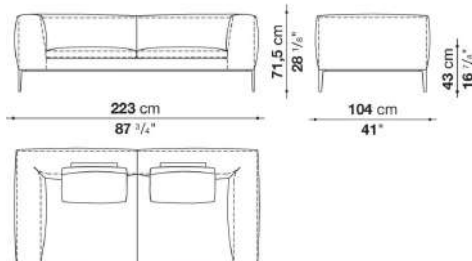
### M206



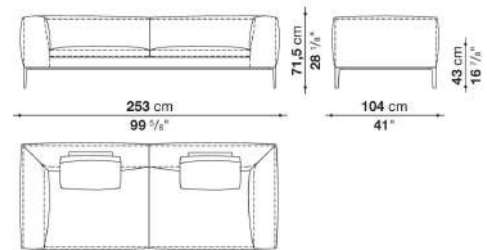
### M226\_1



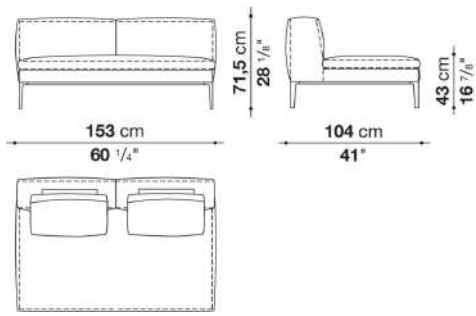
### M226\_2



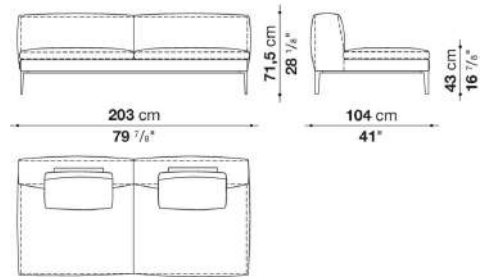
### M256



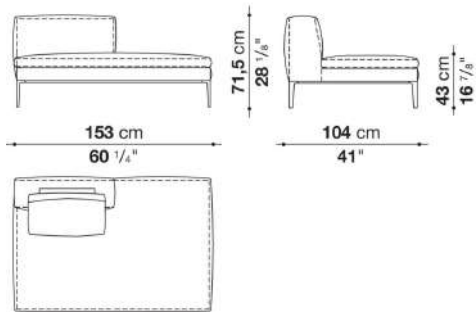
**M156P2**



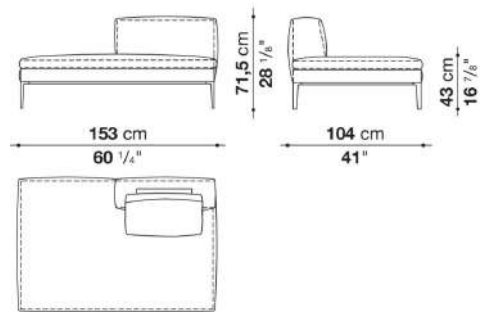
**M206P2**



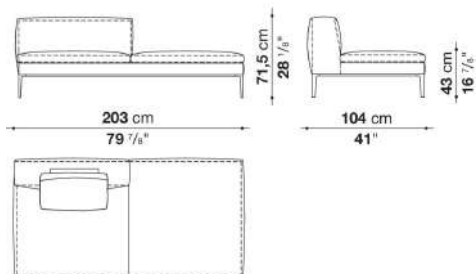
**M156PS**



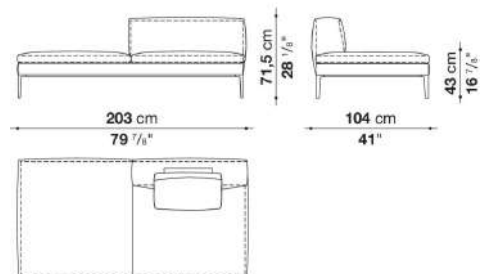
**M156PD**



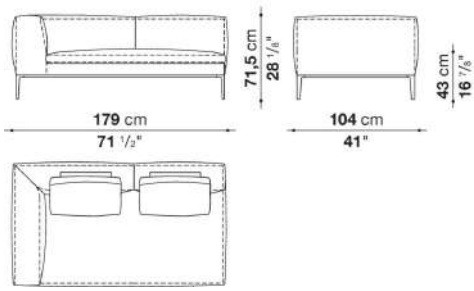
**M206PS**



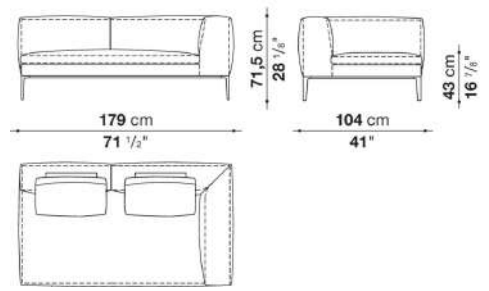
**M206PD**



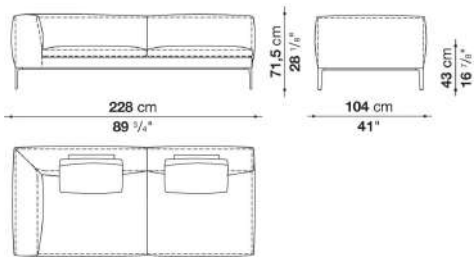
**M182TS**



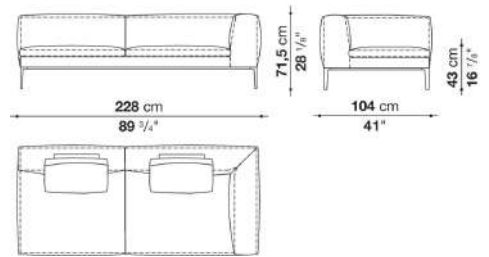
**M182TD**



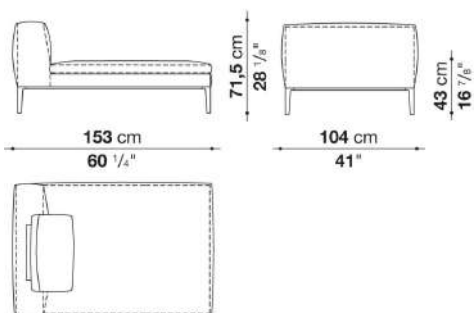
**M231TS**



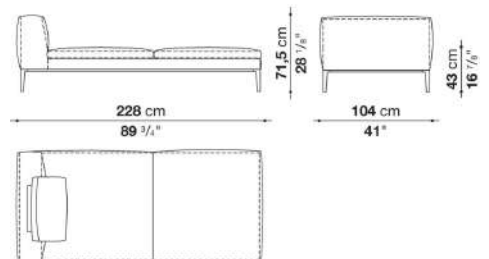
**M231TD**



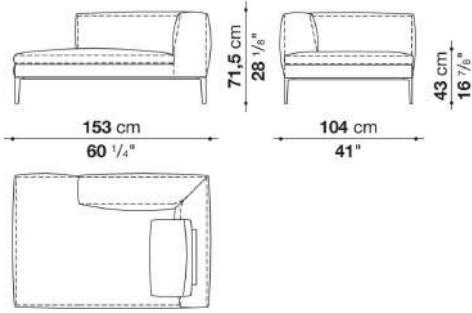
**M156CH**



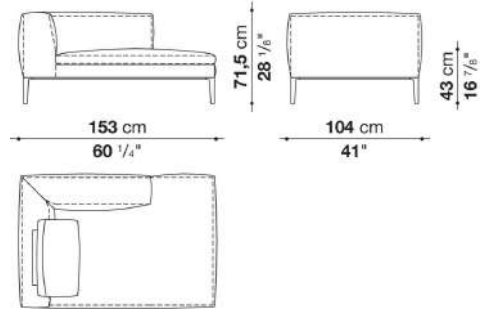
**M231CH**



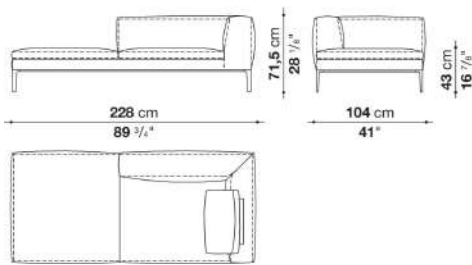
**M156CHS**



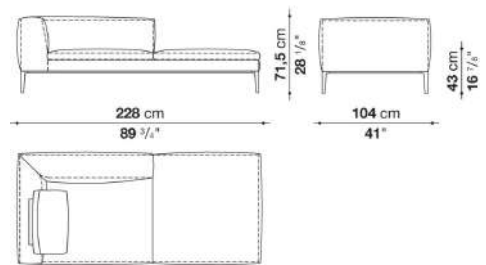
**M156CHD**



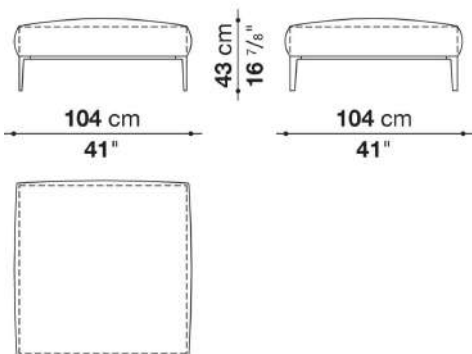
**M231CHS**



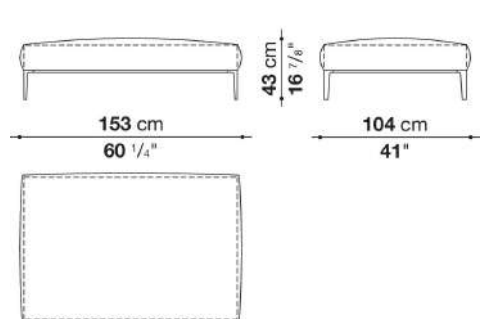
**M231CHD**



**M106PQ**



**M156P**



**M156PQ**

