



ALFRED *ROBERTO LAZZERONI* **2016**

SOFAS

ALFRED | *ROBERTO LAZZERONI* | 2016

Structure in solid wood with molded polyurethane foam padding, covered with a protective laminated fabric

Base in metal with satin, chrome, black chrome, burnished, glossy anthracite, matt titanium 710 finish. Rests on tips made of thermoplastic material

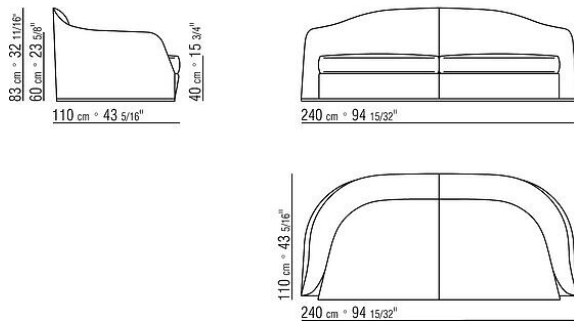
Seat cushion in sterilized goose down (Assopiuma certified, gold label) with insert in crushproof material

Back cushion in sterilized goose down (Assopiuma certified, gold label). The back cushion is optional, upon request, with upcharge

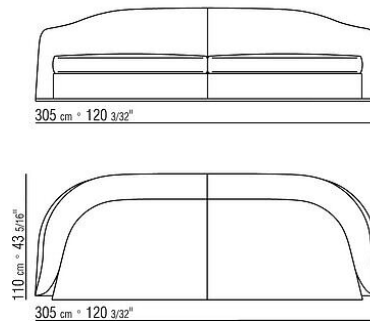
Upholstery is non-removable in both the fabric and leather versions

Piping with fabric covers the piping comes in gros grain, available in all the colors on the sample board. With leather covers the piping comes always in the same leather

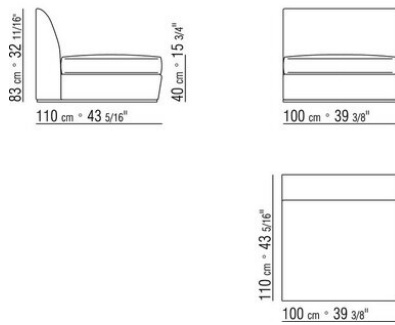
COD. 01IA03



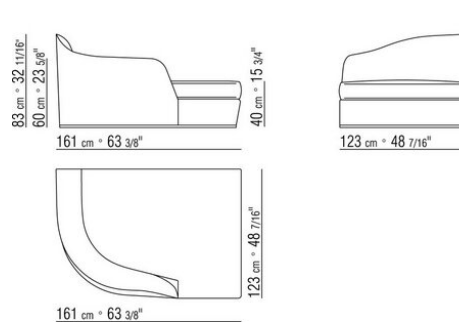
COD. 01IA04



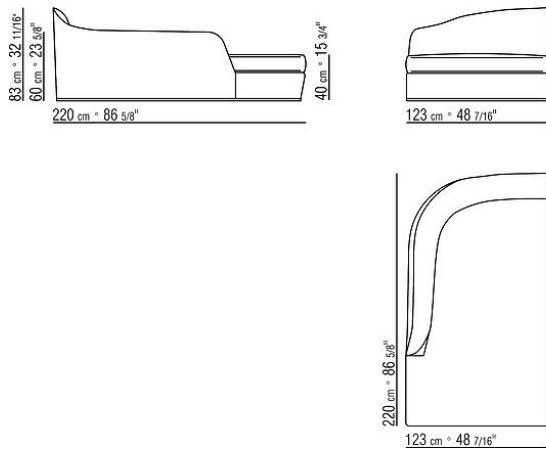
COD. 01IA06



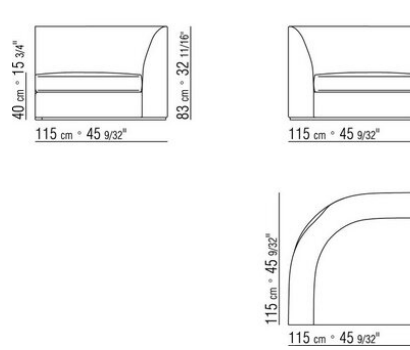
COD. 01IA11



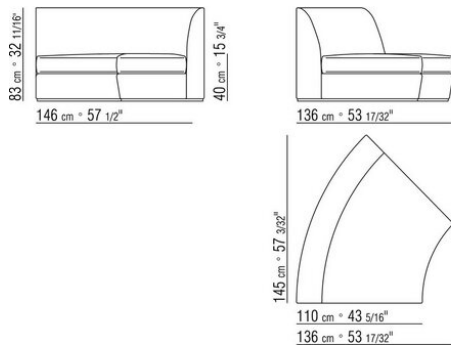
COD. 01IA13



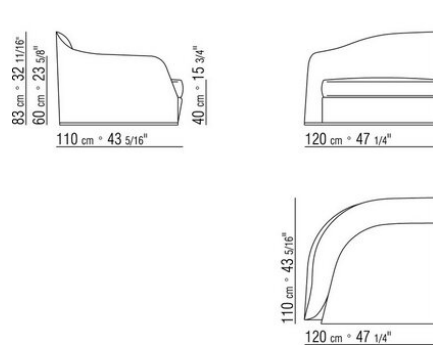
COD. 01IA18



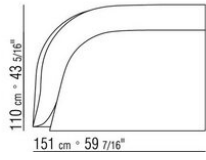
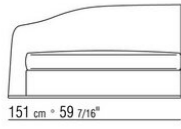
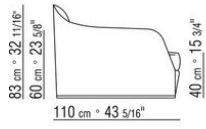
COD. 01IA19



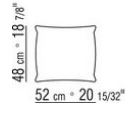
COD. 01IA21



COD. 01IA23



COD. 01IA98



COD. 01IA99

