

Caratos

ARMCHAIRS

2018

Antonio Citterio



Description

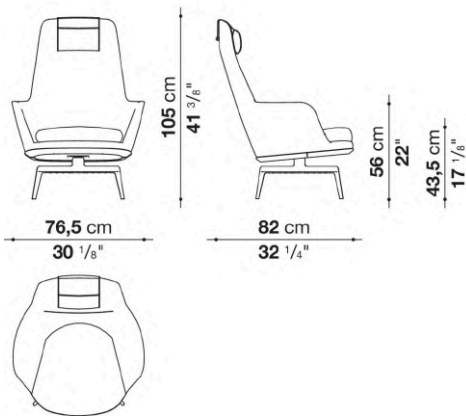
The Caratos armchair, available with a high or low tub backrest, is characterised by fluid shapes and by a lightweight frame. Instead characterised by an enveloping upholstered back that also forms the armrest, the Caratos small armchair is free from postural constraints, favouring conversation and interaction with those nearby. Covered in either fabric or leather, they are part of a collection bursting with proposals for the most diverse settings, united by a base frame in painted die-cast aluminium.

Technical information

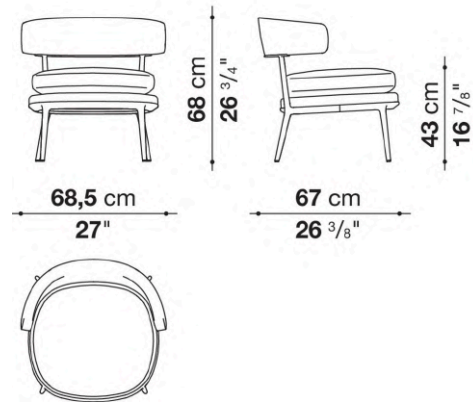
Internal frame
tubular steel and steel profiles
Internal frame upholstery
Bayfit® flexible cold shaped polyurethane foam, polyester fibre cover
Seat cushion upholstery (SCA69)
shaped polyurethane, sterilized down, polyester fibre
Shell
polypropylene
Support frame
melting in aluminium alloy
Ferrules
plastic material
Cover
fabric or leather

Technical drawings

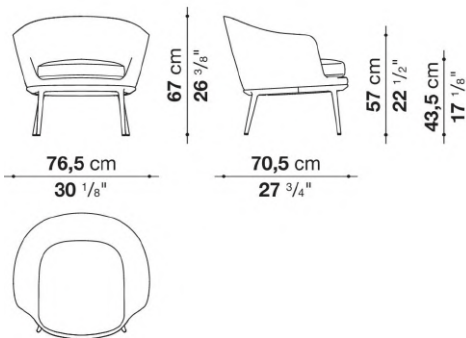
CRT77G



SCA69



CA77B



CA77A

