

## Max

COMPLEMENTS

2001

Antonio Citterio



## Description

---

A writing desk reminiscent of a classic bureau with a contemporary twist, Max is a small jewel of the cabinet-maker's art. It stands out due to its extraordinary attention to detail, making it a precious treasure chest. The main features of this flip-top desk are the special X-shaped design of the steel structure and the geometric design of the drawers. The desk comes in one size in various wood finishes.

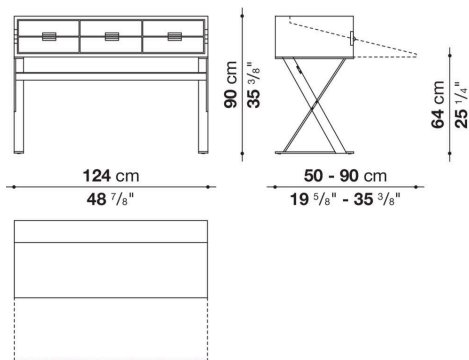
## Technical information

---

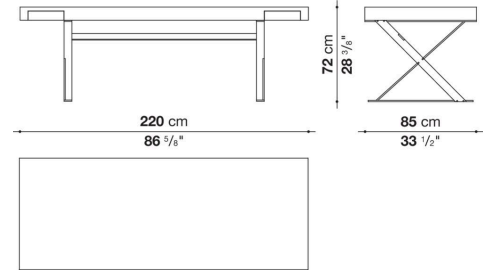
Top  
solid wood, wood particles panel, veneered multi-layered wood panel  
Support frame  
drawn steel  
Feet  
plastic material

# Technical drawings

**TMA124**



**SMSCR22**



**SMSCR**

