

Metropolitan

ARMCHAIRS

2002

Jeffrey Bernett



Description

The seat that flows uninterruptedly into the armrests is the hallmark of this small armchair and relaxation chair. The former, with aluminium swivel base and four spokes, combines elegance and comfort. The latter, which is also swivel and has a matching ottoman, is larger with a headrest with magnet for adjustments. For the Metropolitan armchair there are two aluminium bases available, one with four spokes and one circular.

Technical information

Internal frame

tubular steel and steel profiles

Internal frame upholstery

Bayfit® flexible cold shaped polyurethane foam, polyester fibre cover

Seat cushion upholstery

shaped polyurethane, polyester fibre, polyester fibre cover

Seat cushion upholstery (ME84-ME84_L)

shaped polyurethane of different density, polyester fibre cover

Lumbar and headrest cushion upholstery

polyester fibre, cotton cover

Headrest fixing tools

magnets

Support frame (ME100)

aluminium laminate and extrusions

Support frame (ME100_1-ME84-ME62_1)

die-cast aluminium and extrusions

Support frame (ME62)

drawn steel

Base-frame (ME100_1L-ME84_L)

drawn steel and wood

Ferrules

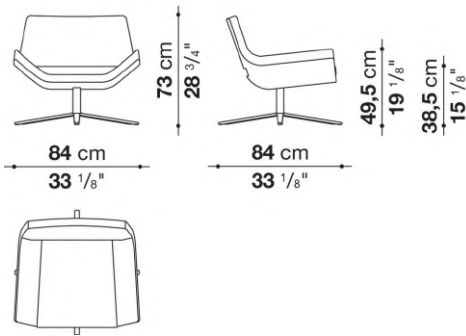
thermoplastic material

Cover

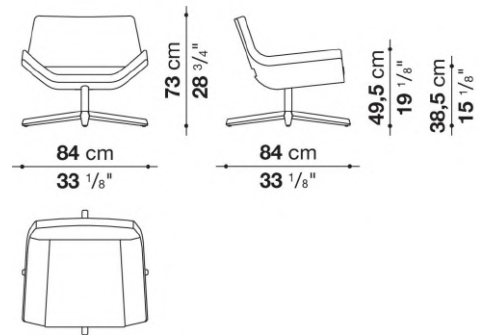
fabric or leather

Technical drawings

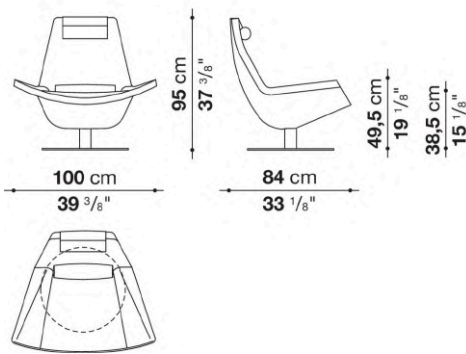
ME84



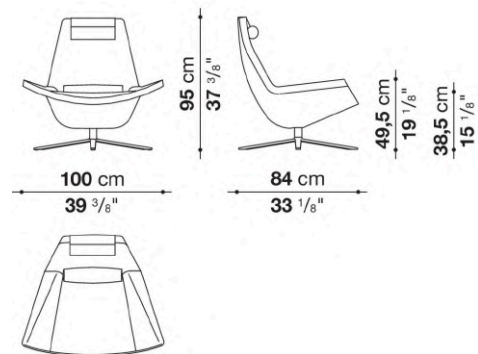
ME84_L



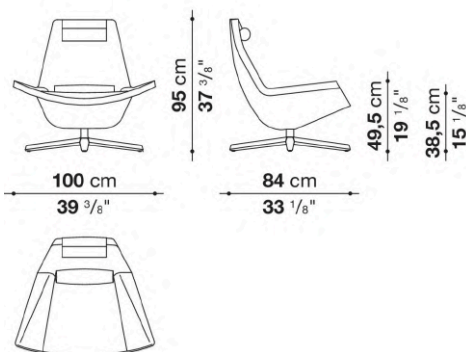
ME100



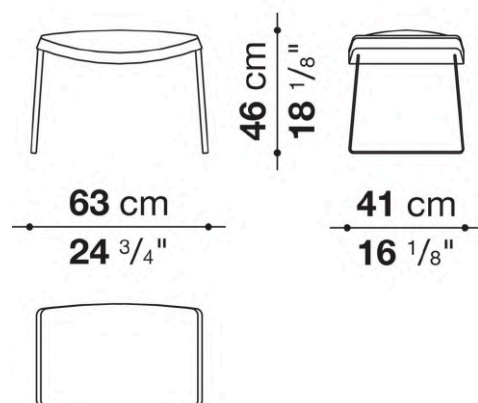
ME100_1



ME100_1L



ME62



ME62_1

