

Dike

BEDS

2019

Antonio Citterio



Description

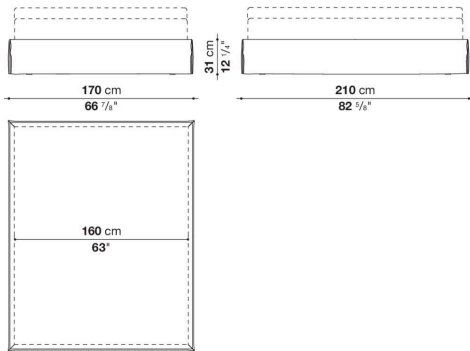
The Dike bed stands out for its long slip cover in harmony with a precious concept of the bedroom area. The bed sides can be covered with numerous fabrics from the collection. In addition to the headboard of the same series, the Dike bed can also be combined with all the headboards in the collection.

Technical information

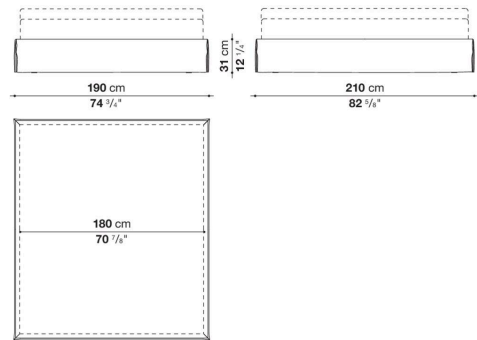
Internal frame
tubular steel and steel profiles
Internal frame upholstery
Bayfit® flexible cold shaped polyurethane foam, polyester fibre cover
External feet
die-cast aluminium
Internal feet
tubular steel and steel profiles
Wheels support frame
steel
Wheels
plastic material
Ferrules
thermoplastic material
Cover
fabric

Technical drawings

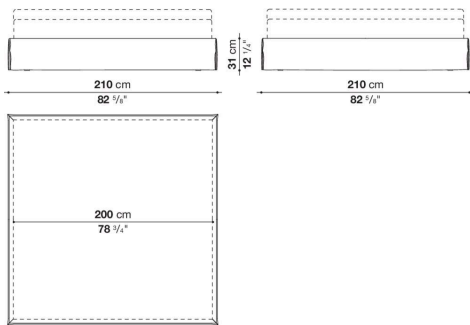
LD160



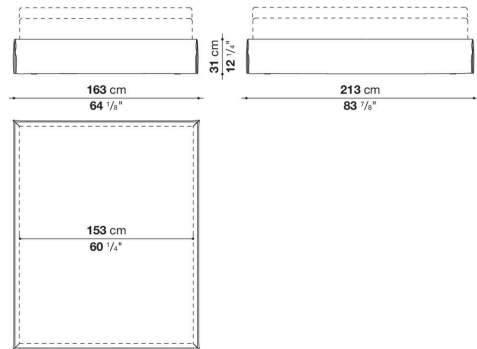
LD180



LD200



LD153Q



LD193K

