

Frank '12

COMPLEMENTS

2012

Antonio Citterio



Description

A versatile piece of furniture it stands out for its essential design. An internal frame glossy painted in combines with an external frame available in a variety of different wood essences.

Technical information

Frame

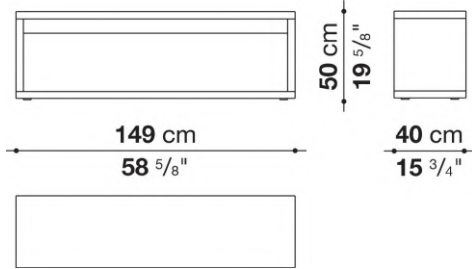
veneered wood particles panel

Adjustable ferrules

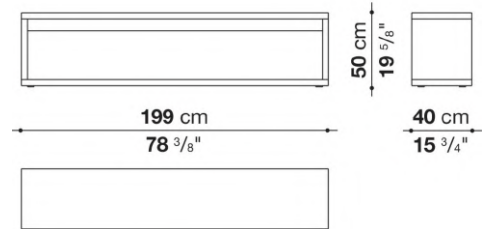
steel and plastic material

Technical drawings

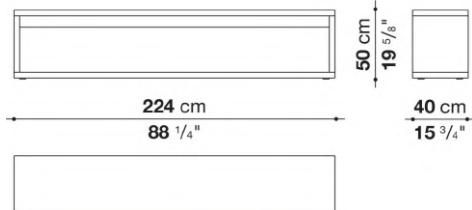
FE155



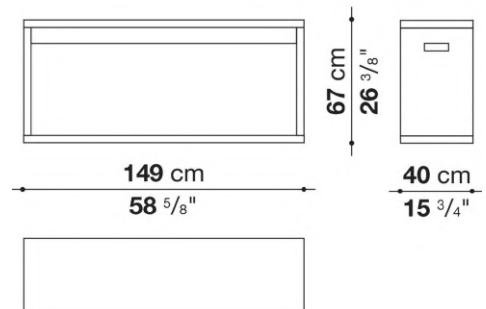
FE205



FE230



FE149



FE199

